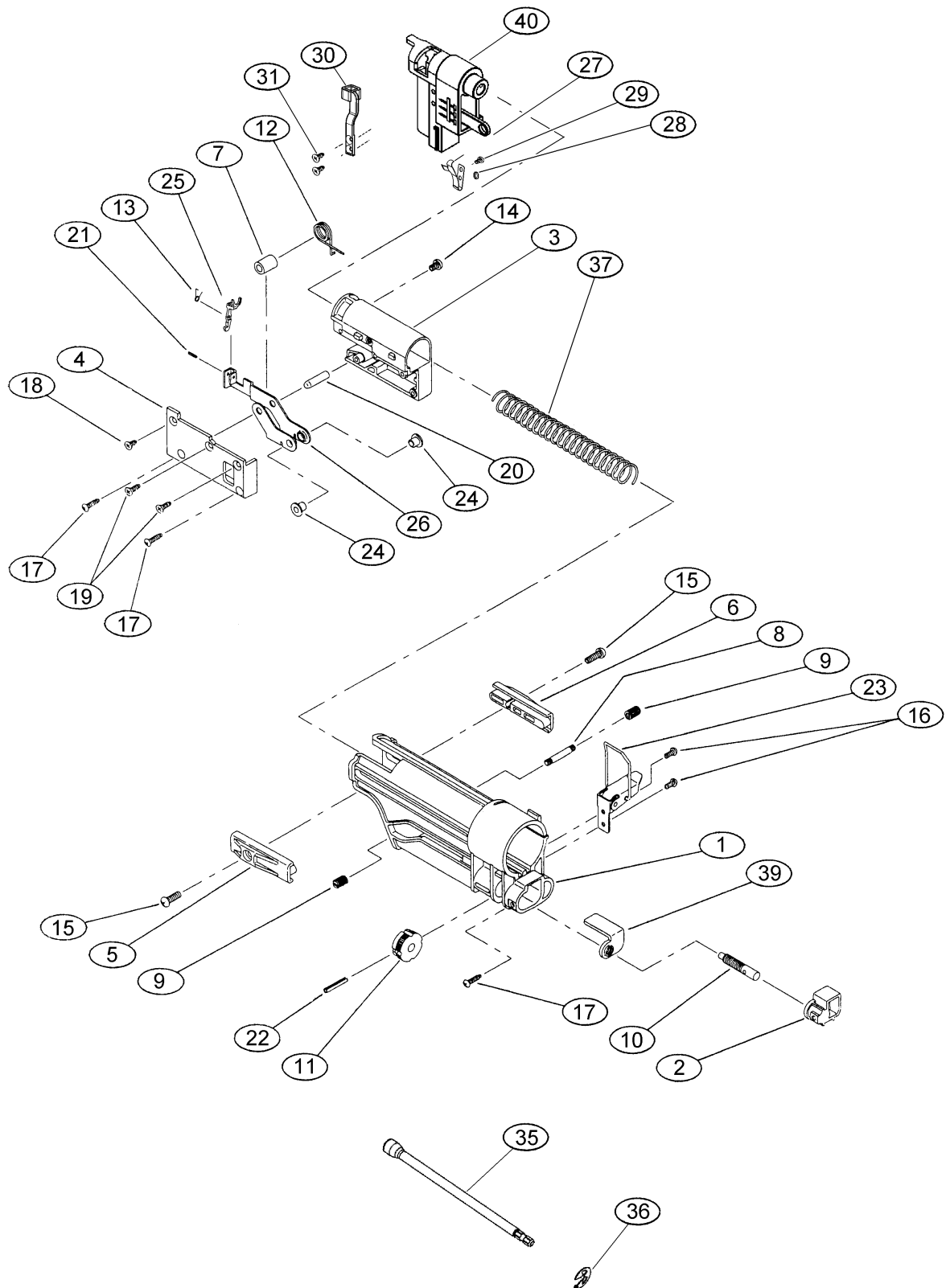


CH7200 ^{VISLIDER®} Attachment CH7264





CH7264 PARTS LIST

Call Muro at 1-800-665-6876 for pricing information

5-Jan-05

| Drawing Number | Part / Order Number | Description | Quantity |
|----------------|---------------------|--|----------|
| 1 | 163-10011 | Slide Flame | 1 |
| 2 | 163-10021 | Adjusting Cover | 1 |
| 3 | 163-10031 | Feeder Case | 1 |
| 4 | 163-10041 | Feeder Cover | 1 |
| 5 | 163-10051 | Slide Guide(L) | 1 |
| 6 | 163-10061 | Slide Guide(R) | 1 |
| 7 | 163-10110 | Feed Lever Collar | 1 |
| 8 | 163-10120 | Link Pin | 1 |
| 9 | 170-10131 | Feed Roller | 2 |
| 10 | 163-10140 | Adjusting Screw | 1 |
| 11 | 163-10150 | Adjusting Dial | 1 |
| 12 | 163-10170 | Feed Spring | 1 |
| 13 | 163-10180 | Latch Spring | 1 |
| 14 | 163-11010 | Pan Head Machine Screw (M4x5) | 1 |
| 15 | 163-11020 | Pan Head Machine Screw (M4x12) | 2 |
| 16 | 163-11030 | Tapping Screw Pan (P tight) 3x6 | 2 |
| 17 | 163-11040 | Tapping Screw Pan (P tight) 3x12 | 3 |
| 18 | 163-11050 | Tapping Screw Flat Head (P tight) 3x6 | 1 |
| 19 | 163-11060 | Tapping Screw Flat Head (P tight) 3x10 | 2 |
| 20 | 163-11070 | Dowel Pin 5x20 | 1 |
| 21 | 163-11080 | Spring Pin A type 2x6 | 1 |
| 22 | 163-11090 | Spring Pin A type 2x18 | 1 |
| 23 | 163-11100 | Stainless 'Snap Fastener | 1 |
| 24 | 170-11110 | Flange Bush (Icus) | 2 |
| 25 | 20-10501 | Feed Latch for CH7260 - (short screw supports) | 1 |
| 26 | 165-10200 | Feed lever for CH7260 | 1 |
| 27 | 20-10801 | Strip Control Spring | 1 |
| 28 | 20-11801 | washer 3mm x 6mm x .8mm | 1 |
| 29 | 20-10901 | Screw 4-40 x 1/8 BHCS | 1 |
| 30 | 20-10401 | Tape Support Guide | 1 |
| 31 | 20-11701 | Screw FH 6-32 x 3/16 lg | 2 |
| 35 | HEX56340 | Hex Bit 5/16 | 1 |
| 36 | 20-11601 | E clip for hex bit | 1 |
| 37 | 20-10601 | Slide Spring (Hex screws) | 1 |
| 39 | 20-13001 | Stopper Plate CH7263, CH7264 | 1 |
| 40 | 20-12401 | Screw guide - CH7264 | 1 |