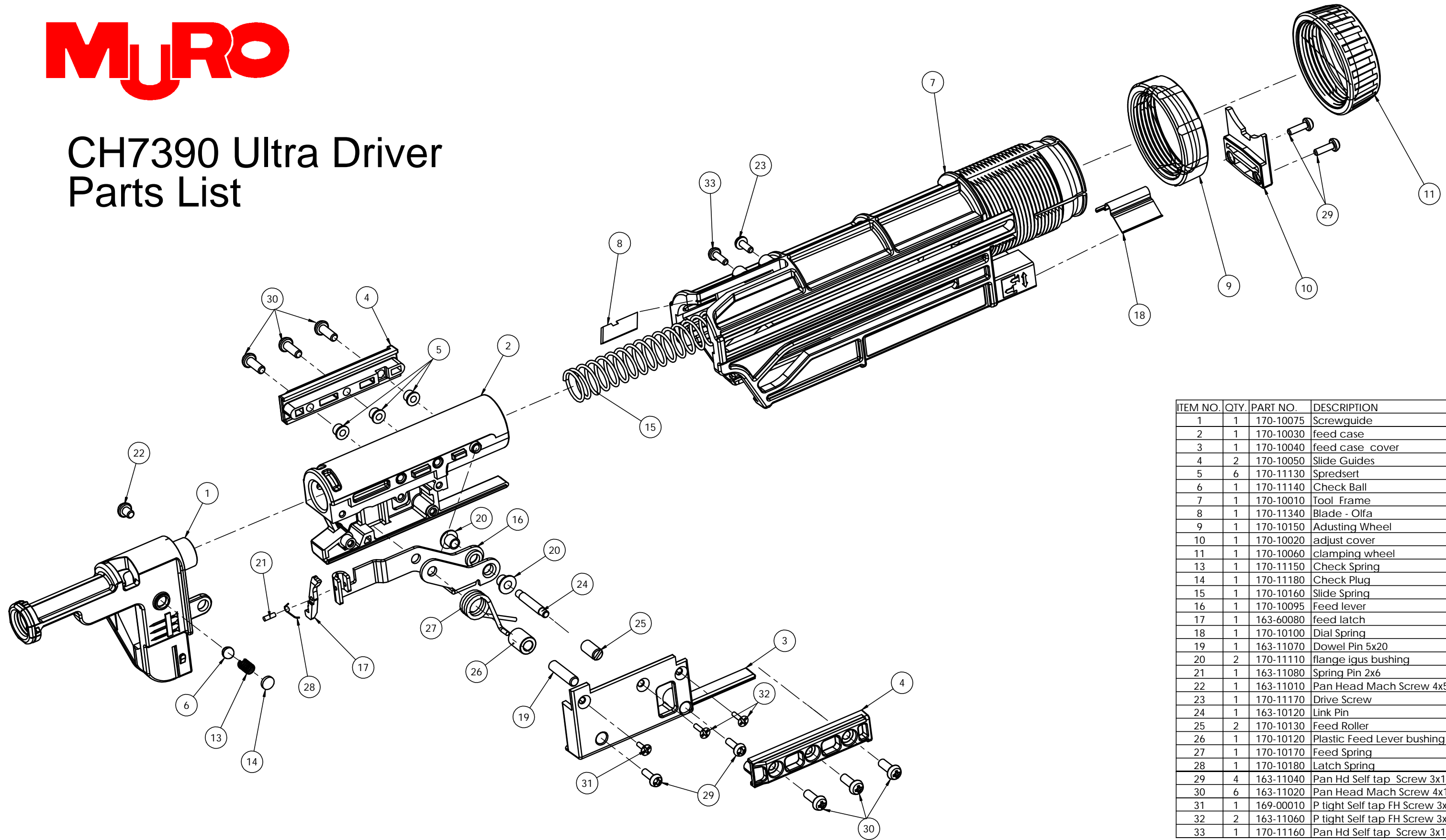




CH7390 Ultra Driver Parts List



ITEM NO.	QTY.	PART NO.	DESCRIPTION
1	1	170-10075	Screwguide
2	1	170-10030	feed case
3	1	170-10040	feed case cover
4	2	170-10050	Slide Guides
5	6	170-11130	Spredsert
6	1	170-11140	Check Ball
7	1	170-10010	Tool Frame
8	1	170-11340	Blade - Olfa
9	1	170-10150	Adusting Wheel
10	1	170-10020	adjust cover
11	1	170-10060	clamping wheel
13	1	170-11150	Check Spring
14	1	170-11180	Check Plug
15	1	170-10160	Slide Spring
16	1	170-10095	Feed lever
17	1	163-60080	feed latch
18	1	170-10100	Dial Spring
19	1	163-11070	Dowel Pin 5x20
20	2	170-11110	flange igus bushing
21	1	163-11080	Spring Pin 2x6
22	1	163-11010	Pan Head Mach Screw 4x5
23	1	170-11170	Drive Screw
24	1	163-10120	Link Pin
25	2	170-10130	Feed Roller
26	1	170-10120	Plastic Feed Lever bushing
27	1	170-10170	Feed Spring
28	1	170-10180	Latch Spring
29	4	163-11040	Pan Hd Self tap Screw 3x12
30	6	163-11020	Pan Head Mach Screw 4x12
31	1	169-00010	P tight Self tap FH Screw 3x8
32	2	163-11060	P tight Self tap FH Screw 3x10
33	1	170-11160	Pan Hd Self tap Screw 3x10