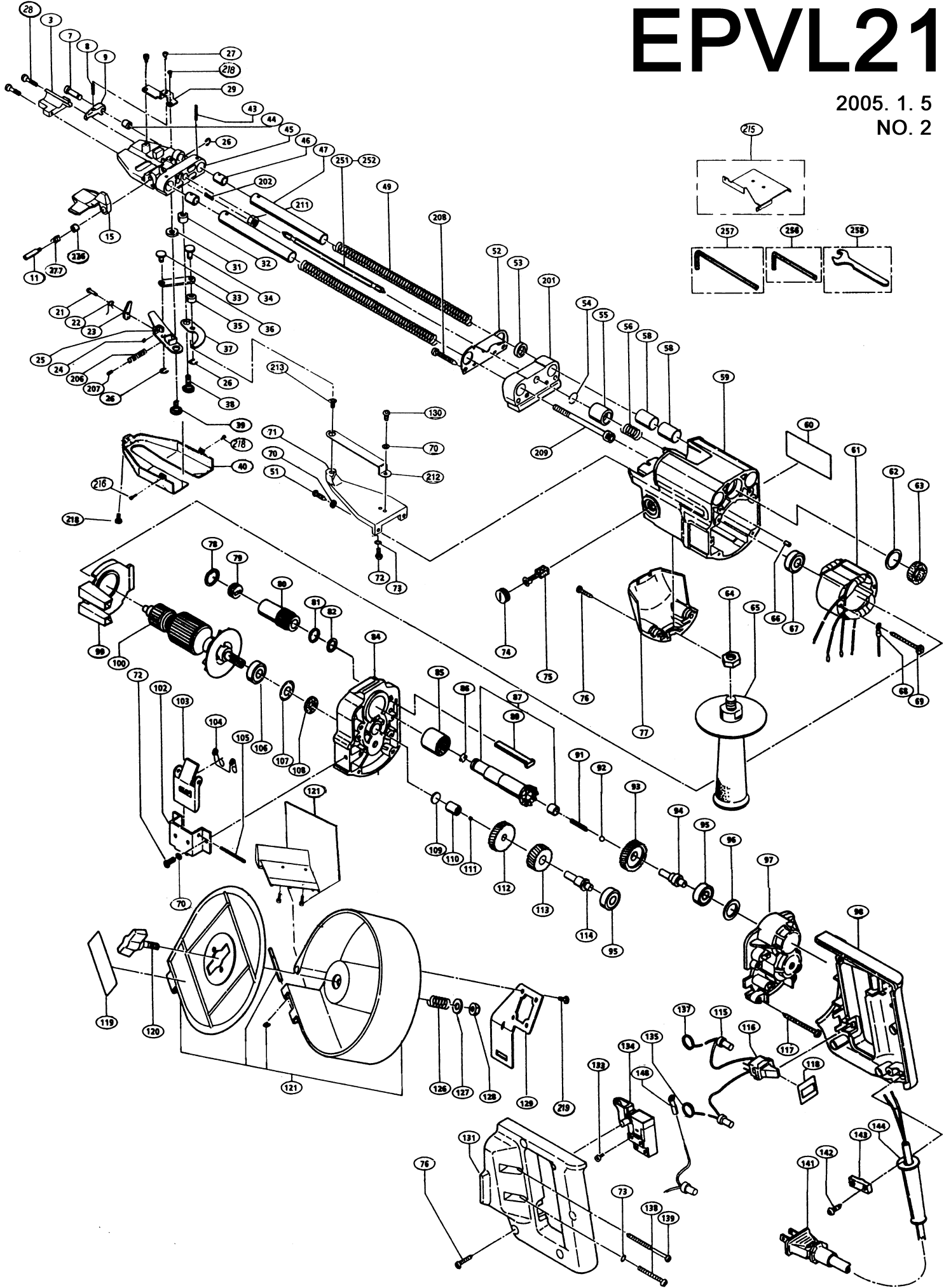


EPVL21

2005. 1. 5
NO. 2





EPVL21 PARTS LIST

Call Muro at 1-800-665-6876 for pricing information

5-Jan-05

Draw No.	Part No.	Order Code	Description	Q'ty
3	3	121-00030	Size Piece	1
7	7	101-00070	Pin (Grip Finger)	1
8	8	101-00080	Spring	1
9	9	101-00090	Grip Finger	1
11	11	101-00111	Pin (Guide Cover)	1
15	15	102-00151	Guide Cover	1
21	21	101-00210	Pin (Feed Latch)	1
22	22	101-00220	Spring (Latch)	1
23	23	102-00230	Feed Latch	1
24	24	101-00240	E Ring	1
25	25	102-00250	Feed Lever	1
26	26	101-00260	E Ring	3
27	27	101-00270	Pan Head Screw	1
28	28	101-00280	Cap Screw	2
29	29	102-00290	Cover (Finger)	1
31	31	101-00310	Spacer (Lever)	1
32	32	101-00320	Spacer (Link)	1
33	33	101-00330	Pin (Lever)	1
34	34	101-00340	Pin (Link)	1
35	35	101-00350	Spacer (Link)	1
36	36	101-00360	Link	1
37	37	101-00371	Link Lever	1
38	38	101-00381	Pin (Link Lever)	1
39	39	101-00391	Pin (Feed Lever)	1
40	40	121-00400	Cover	1
43	43	101-00430	Spring Pin	2
44	44	101-00440	Bush (Finger)	1
45	45	102-00450	Feeder Block	1
46	46	101-00460	Spring Stopper	2
47	47	121-00470	Guide Pole	2
49	49	121-00490	Spring (Slide)	2
51	51	101-00510	Pan Head Screw	2
52	52	101-00520	Dust Cover	1
53	53	101-00530	Oil Seal	2
54	54	125-00810	Retaining Ring	1
55	55	125-00820	Sleeve	1
56	56	125-00830	Spring (Sleeve)	1
58	58	101-00582	Dry Bearing	4
59	59	104-00590	Housing	1
60	60	119-00600	Name Plate	1
61	61	119-00610	Stator Assembly	1
62	62	101-00620	Washer (Felt)	1
63	63	101-00630	Felt	1
64	64	101-00640	Hexagon Nut	1
65	65	101-00650	Side Handle	1
66	66	101-00660	Bearing Lock	1



EPVL21 PARTS LIST

Call Muro at 1-800-665-6876 for pricing information

5-Jan-05

Draw No.	Part No.	Order Code	Description	Q'ty
67	67	125-00570	Ball Bearing	1
68	68	101-00680	Lead Terminal	1
69	69	104-00690	Hexagon Screw	2
70	70	101-00700	Spring Washer	4
71	71	121-00710	Stopper Block	1
72	72	101-00720	Pan Head Screw	2
73	73	101-00730	Plane Washer	1
74	74	101-00740	Brush Cap	2
75	75	101-00750	Carbon Brush	2
76	76	101-00760	Pan Head Screw	6
77	77	101-00770	Cover	1
78	78	101-00780	Ring 'A' (Stopper)	1
79	79	101-00790	Stopper Block	1
80	80	104-00800	Depth Adjuster	1
81	81	101-00810	O Ring	1
82	82	101-00820	Ring 'B' Stopper	1
84	84	101-00840	Inner Cover	1
85	85	101-00850	Needle Bearing	1
86	86	101-00860	Steel Ball	2
87	87	104-90200	Socket Assembly	1
89	89	104-00890	Stopper Rod	1
91	91	101-00910	Spring (Socket)	1
92	92	101-00920	Steel Ball	1
93	93	103-00930	Final Gear	1
94	94	101-00940	Driven Gear Shaft	1
95	95	125-00570	Ball Bearing	2
96	96	101-00960	Washer 'A'	1
97	97	101-00970	Gear Cover	1
98	98	101-00980	Handle 'A'	1
99	99	101-00990	Fan Guide	1
100	100	104-01000	Armature Assembly	1
102	102	102-01021	Holder	1
103	103	101-01030	Clamp Plate	1
104	104	101-01040	Spring (Holder)	1
105	105	101-01050	Spring Pin	1
106	106	125-00570	Ball Bearing	1
107	107	101-01070	Packing	1
108	108	101-01080	Felt Washer	1
109	109	101-01090	Washer 'B'	1
110	110	101-01100	Needle Bearing	1
111	111	101-01110	Steel Ball	1
112	112	103-01120	First Gear	1
113	113	103-01130	Second Gear	1
114	114	101-01140	Driving Gear Shaft	1
115	115	101-01150	Connector	3
116	116	101-01160	Reversing Switch	1



EPVL21 PARTS LIST

Call Muro at 1-800-665-6876 for pricing information

5-Jan-05

Draw No.	Part No.	Order Code	Description	Q'ty
117	117	101-01170	Pan Head Screw	4
118	118	101-01180	LR Label	1
119	119	101-01190	Label(magazine)	1
120	120	101-01200	Knob	1
121	121	102-90091	Magazine Assembly	1
126	126	101-01260	Spring (Magazine)	1
127	127	101-01270	Washer	1
128	128	101-01281	Jam Nut	1
129	129	101-01290	Magazine Bracket	1
130	130	101-01300	Pan Head Screw	1
131	131	101-01310	Handle 'B'	1
133	133	101-01330	Pan Head Screw	4
134	134	101-01340	Trigger Switch	1
135	135	101-01350	Lead Wire (Black)	1
137	137	101-01370	Lead Wire (White)	1
138	138	101-01380	Pan Head Screw	2
139	139	101-01390	Pan Head Screw	2
141	141	118-01410	Cord Tire	1
142	142	101-01420	Pan Head Screw	2
143	143	101-01430	Cord Clip	1
144	144	101-01440	Cord Armor	1
148	148	101-01480	Terminal	3
201	201	121-02010	Extension Block	1
202	202	101-02020	Set Screw	1
206	206	102-02061	Spring (Lever)	1
207	207	102-02070	Spring Pin	1
208	208	121-02080	Pan Head Screw	2
209	209	125-00501	Spring Guide	1
211	211	101-02110	Nut	1
212	212	121-02120	Stopper Block Cover	1
213	213	121-02130	Flat Head Screw	1
215	215	121-02150	Guide Cover Plate	1
216	216	102-02160	Cap Screw	1
218	218	101-02180	Cap Screw	4
219	219	125-00690	Bind Head Screw	4
251	251	PHL28118	BIT NO.2 Phillips	1
252	252	SQR28118	BIT NO.2 SQUARE	1
256	256	101-02560	L Wrench	1
257	257	101-02570	L Wrench	1
258	258	101-02580	Spanner	1
276	276	122-02760	Bush	1
277	277	122-02770	Spring Cover	1

- NOTE -

*Assy : Can be supplied in assembly.

Subject to change without notice