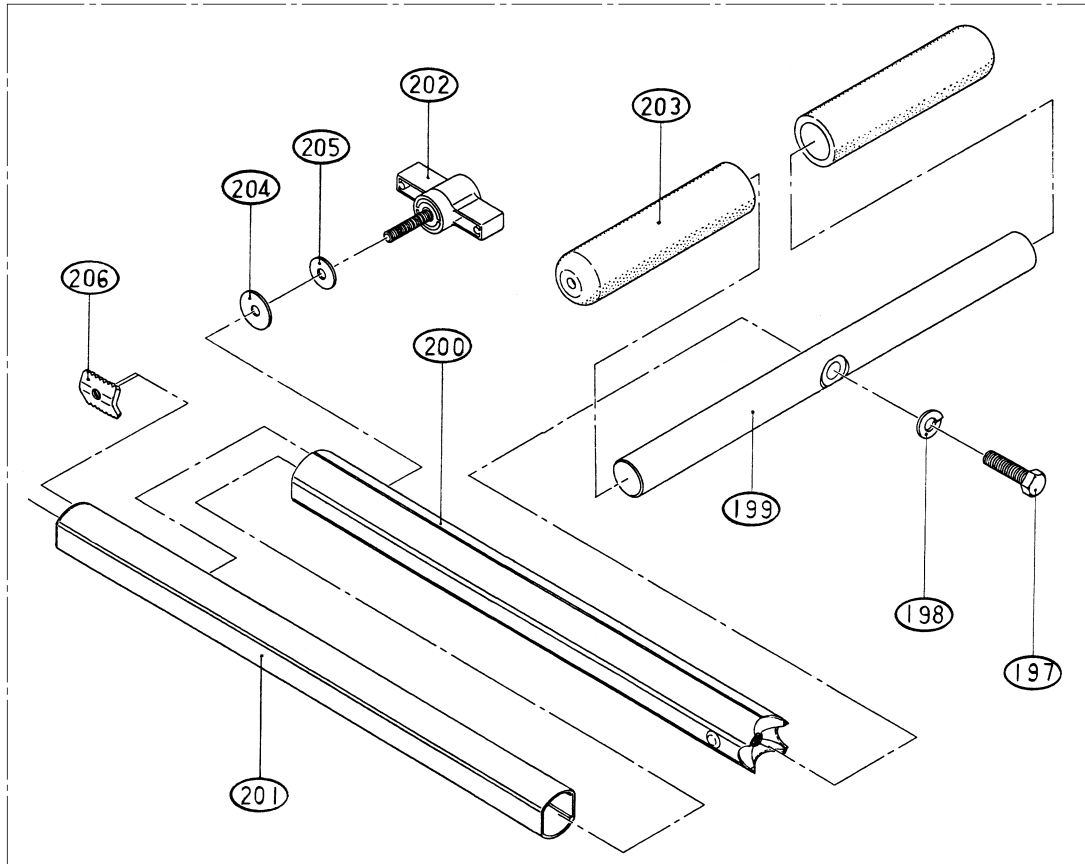


SPECIAL ACCESSORIES

2004. 12. 10
NO. 1

ROD HANDLE for VL41





FLVL41 PARTS LIST

Call Muro at 1-800-665-6876 for pricing information

15-Feb-05

Draw No.	Part No.	Order Code	Description	Q'ty
*3	A01	FLASSY9	VL41-FL Clutch Assy	1
*3	A02	FLASSY8	VL41-FL Gear Assy	1
	25	101-02580	Spanner	1
	41	128-00410	Spring (Slide)	2
	47	128-00470	Spring (clutch)	1
	53	128-00530	Steel ball	1
	55	128-00550	Ball bearing	1
	56	128-00560	Ball bearing	2
	57	128-00570	Flange ball bearing	1
	59	128-00590	Needle bearing	1
	65	128-00650	O ring P16 Nitrile	2
	66	128-00660	O ring P22 Nitrile	1
	69	128-00690	O Ring (P10)	1
	80	128-00800	Label A	1
*1	101	128-01014	STATOR ASSY	1
	102	125-00761	Carbon Brush	2
	112	SQR28118	BIT NO.2 SQUARE	1
	113	PHL28118	BIT NO.2 Phillips	1
	115	142-01152	Stopper Block	1
	116	142-01160	Stopper B Plate	1
	118	130-01180	Cord	1
	119	125-01040	Cord guard	1
	120	125-01000	Cord stopper	1
	121	125-00770	Brush holder	2
	122	128-01220	Stopper washer	1
	123	128-01230	Brush holder stay	1
	124	125-00750	Brush cap	2
*2	125	128-01251	ARMATURE ASSY	1
	130	128-01301	Housing A	1
	133	128-01330	Name Plate VL41	1
	135	128-01351	Housing B	1
	138	128-01380	Label (MURO)	1
	140	128-01400	Switch (TRIGGER)	1
	141	128-01410	Switch (REVERSING)	1
	145	128-01451	Knob 1/4"-20	1
	146	128-01461	Rod handle bracket	1
	147	128-01470	Rod handle stopper	1
	148	142-02600	Spring Guide Pin	2
	149	128-01490	Knob washer	1
	151	128-01510	Bind Head 4x20	16
	152	128-01521	Bind head tap.screw (4x14 TYPE No.2)	2
	155	128-01550	Countersunk head screw (M4x8)	2
	164	128-01640	Cap screw (M6x25)	1
	165	128-01650	Cap screw (M6x40)	1
	166	128-01660	Cap screw (M5x25)	1
	178	128-01780	Hexagon nut (M6)	2



FLVL41 PARTS LIST

Call Muro at 1-800-665-6876 for pricing information

15-Feb-05

Draw No.	Part No.	Order Code	Description	Q'ty
186	186	128-01860	Hexagon nut 1/4 inch	1
210	210	SQR38000	Bit No.3 SQUARE	1

*Assy		FLASSY2	FL Feeder Block Assembly	1
Assy	Assy	FLASSY4	Feed Lever Assembly	1
1	1	142-00011	Feeder Block	1
2	2	142-00021	Adjusting Plate	1
3	3	142-00034	Screw guide FL-RS	1
4	4	128-00040	Guide cover VL41	1
5	5	128-00050	Guide cover pin	1
6	6	128-00060	Grip finger	1
7	7	128-00070	Grip finger pin	1
13	13	101-00391	Pin (Feed lever)	2
14	14	101-00310	Spacer (Lever)	2
20	20	128-00201	Guide Pole	2
21	21	128-00210	Cover	1
22	22	128-00220	Spring Stopper	2
23	23	128-00230	Clamp Plate	1
24	24	128-00240	Spring Pin	2
30	30	142-00301	Magazine Bracket	1
37	37	128-00370	Grommet	2
42	42	128-00420	Spring (Cover)	1
43	43	128-00430	Spring (Grip finger)	1
161	161	128-01610	Cap screw (M4x8)	6
163	163	128-01630	Cap screw (M4x20)	1
177	177	128-01770	Nut (M4)	1
187	187	101-00700	Spring washer(M4)	1
213	213	128-01660	Cap Screw	1

*Assy		FLASSY4	Feed Lever Assembly	1
8	8	101-00372	Link Lever	1
9	9	101-00360	Link	1
10	10	128-10110	Feed Lever (FL, EF)	1
15	15	101-00340	Pin (Link)	1
16	16	101-00330	Pin (Lever)	1
17	17	101-00350	Spacer (Link)	1
18	18	142-00183	Feed Latch	1
19	19	101-00210	Pin (Feed latch)	1
44	44	128-00440	Spring (Latch)	1
68	68	101-00240	E Ring (2)	1
70	70	101-00260	E Ring (4)	2

*Assy		FLASSY3	FL Extension Block Assembly	1
A04	A04	128-90080	VL41-FD Ex-Block Assy	1
45	45	128-00450	Spring (Dial)	1
46	46	128-00460	Spring (socket)	1



FLVL41 PARTS LIST

Call Muro at 1-800-665-6876 for pricing information

15-Feb-05

Draw No.	Part No.	Order Code	Description	Q'ty
51	51	128-00510	Steel ball	4
52	52	128-00520	Steel ball	1
67	67	128-00670	C-Type ring (No.10)	1
109	109	125-10040	Socket	1
110	110	128-01101	Sleeve	1
117	117	128-01170	Dial	1
171	171	128-01710	Set screw M6x6	1

*Assy		FDMAG	Magazine Assy - FDVL41	1
301	301	128-01521	Bind Head Tap.screw (4x14 TYPE No.2)	2
302	302	128-01950	Magazine stopper R (VL41)	1
303	303	128-00320	Magazine holder	1
304	304	128-00332	Spring Plate (Strong)	1
305	305	128-01521	Bind head tap.screw (4x14 TYPE No.2)	1
306	306	128-00310	Magazine	1
307	307	128-01940	Magazine stopper L (VL41)	1
309	309	128-00360	Hinge pin	1
310	310	128-01130	L Wrench (3.0)	1
311	311	128-01850	L-Wrench (4.0)	1
312	312	128-00350	Magazine inner	1
313	313	128-00340	Magazine lid	1

*Assy		VISRH902	Extension Handle without Bracket14" to 19" FOR VL41	1
197	197	901-001	Bolt	1
198	198	901-002	Lock washer	1
199	199	901-003	Handlebar	1
200	200	902-004	Outer shaft 14"	1
201	201	902-005	Inner shaft 14"	1
202	202	901-010	Torque knob	1
203	203	901-011	Grip	2
204	204	901-013	Plastic washer	1
205	205	901-014	Washer	1
206	206	901-015	Lock plate	1

- NOTE -

- *1 : 128-01014 for use with FLVL41 Serial #005500 to present only.
128-01015 for use with FLVL41 Serial #001500 to #001599. (replaces 128-01010 / 128-01011) *4
- *2 : 128-01251 for use with FLVL41 Serial #005500 to present only.
128-01252 for use with FLVL41 Serial #001500 to #001599. (replaces 128-01250) *4
- *3 : FDASSY8 and FDASSY9 for use with FDVL41 Serial #005500 to present only.
- *4 : 128-01015 must be used with 128-01252
- *Assy : Can be supplied in assembly.

Subject to change without notice