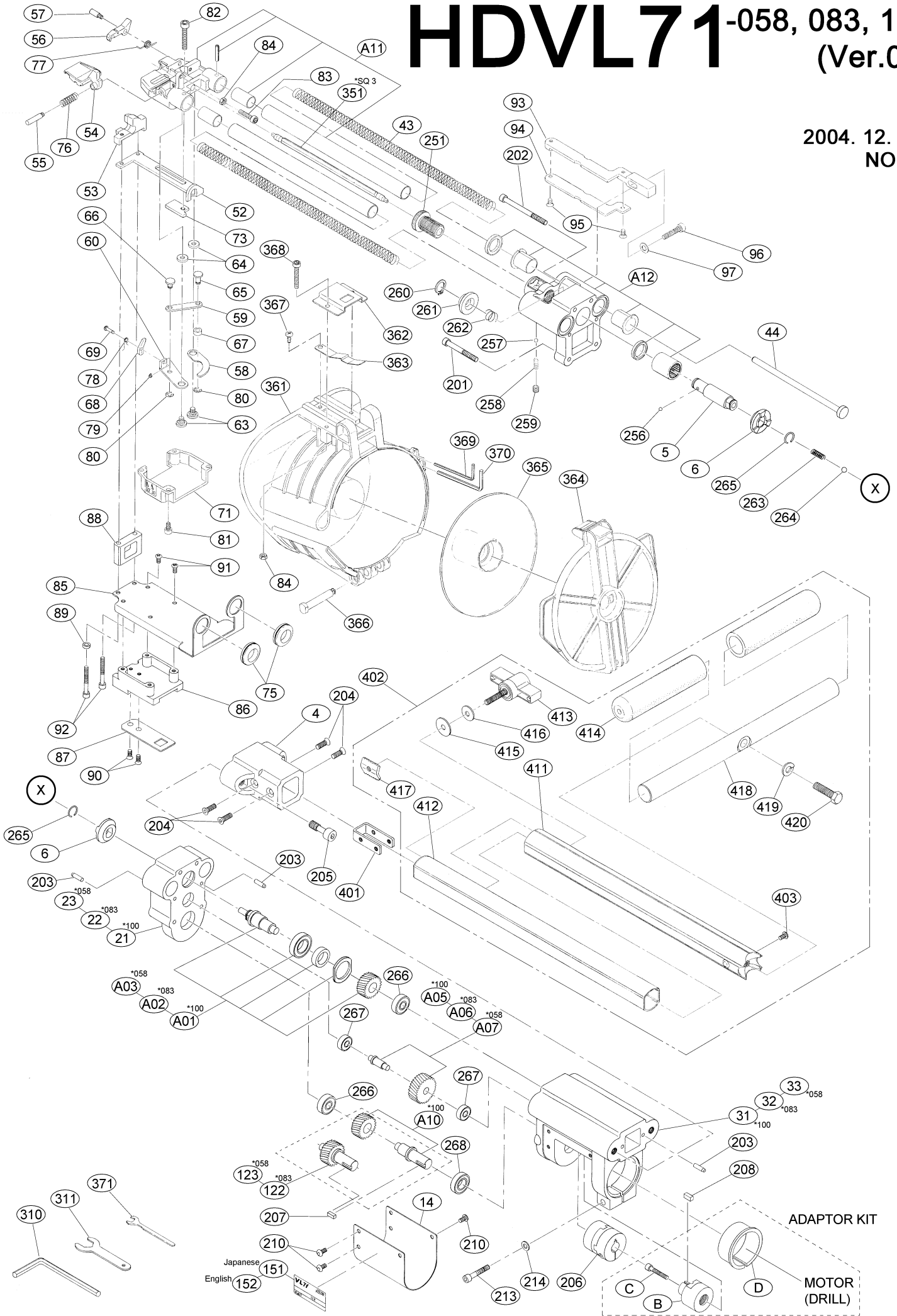


HDVL71-058, 083, 100 (Ver.02)

2004. 12. 15
NO. 1





HDVL71-058, 083, 100 (Ver.02) PARTS LIST

Call Muro at 1-800-665-6876 for pricing information

Draw No.	Part No.	Order Code	Description	Q'ty
A01	A01	175-90320	Drive Shaft - Gear Assy (100)	1
A02	A02	175-90330	Drive Shaft - Gear Assy (083)	1
A03	A03	175-90340	Drive Shaft - Gear Assy (058)	1
A05	A05	175-90260	Idoler Gear Assy (100)	1
A06	A06	175-90270	Idoler Gear Assy (083)	1
A07	A07	175-90280	Idoler Gear Assy (058)	1
A10	A10	175-90290	Input Gear Assy (100)	1
A11	A11	175-90300	VL71-FLR Feeder Assy	1
A12	A12	175-90310	VL71 Ex Block Assy	1
4	4	175-10040	Bracket Block	1
5	5	175-00050	Socket Shaft VL71	1
6	6	175-00060	Clutch (3x40) VL71	2
14	14	175-00140	Joint Cover VL71	1
21	21	175-10211	Gear Block (100)	1
22	22	175-10221	Gear Block (083)	1
23	23	175-10231	Gear Block (058)	1
31	31	175-10311	Main Flame (100)	1
32	32	175-10321	Main Flame (083)	1
33	33	175-10331	Main Flame (058)	1
43	43	175-00430	Spring (Slide) VL71FL-R	2
44	44	175-00440	Spring Guide Pin (FL-R)	2
52	52	142-00021	Adjusting plate (FL)	1
53	53	142-00034	Screw guide FL-RS	1
54	54	128-10041	Guide cover VL41	1
55	55	128-80050	Guide cover pin	1
56	56	128-00060	Grip finger	1
57	57	128-80070	Grip finger pin	1
58	58	101-00372	Link Lever	1
59	59	101-00360	Link	1
60	60	128-10110	Feed Lever (FL, EF)	1
63	63	101-00391	Pin (Feed lever)	2
64	64	101-00310	Spacer (Lever)	2
65	65	101-00340	Pin (Link)	1
66	66	101-00330	Pin (Lever)	1
67	67	101-00350	Spacer (Link)	1
68	68	142-00183	Feed Latch (L)	1
69	69	101-00210	Pin (Feed latch)	1
71	71	128-00210	Cover	1
73	73	128-00230	Clamp Plate	1
75	75	128-00370	Grommet	2
76	76	128-00420	Spring (Cover)	1
77	77	128-00430	Spring (Grip finger)	1
78	78	101-00220	Spring (Latch)	1
79	79	101-00240	E Ring	1
80	80	101-00260	E Ring	2
81	81	128-01610	Cap screw (M4x8)	4



HDVL71-058, 083, 100 (Ver.02) PARTS LIST

Call Muro at 1-800-665-6876 for pricing information

Draw No.	Part No.	Order Code	Description	Q'ty
82	82	131-05180	Cap screw (M5x30)	1
83	83	128-01630	Cap screw (M4x20)	1
84	84	101-02110	Nut (M4)	1
85	85	142-03040	Magazine Bracket-S (FL)	1
86	86	142-03010	Bracket Block	1
87	87	142-03021	Bracket Plate	1
88	88	142-03030	Bracket Stay	1
89	89	142-03060	Spacer (Bracket-S)	1
90	90	121-02130	Flat head screw (M4x10)	2
91	91	101-01300	Pan head screw (M4x8)	4
92	92	142-03050	Cap Screw (M4x35)	2
93	93	142-01152	Stopper Block (L)	1
94	94	142-01160	Stopper B.plate (FL)	1
95	95	128-01550	Countersunk h screw (M4x8)	2
96	96	128-01660	Cap screw (M5x25)	1
97	97	128-01220	Stopper washer	1
122	122	175-01220	Gear Shaft-VL71(083)	1
123	123	175-01230	Gear Shaft-VL71(058)	1
152	152	175-01520	Name Plate VL71	1
201	201	175-02010	Cap Screw (M5x50)	2
202	202	175-02020	Cap Screw (M5x700)	2
203	203	175-02030	Dowel Pin	6
204	204	175-02040	Countersunk Cap Screw (M5x15)	4
205	205	175-02050	Cap Screw for Cover (M8x25)	2
206	206	175-02060	Coupling (Oldham Set Screw)	1
207	207	175-02070	Parallel Key 4x4x10	1
208	208	175-02080	Parallel Key 5x5x10	1
210	210	175-02100	Socket Button Head Cap Screw (M4x8)	6
213	213	175-02130	Cap Screw (M6x35)	1
214	214	175-02140	Plain Washer 6	1
251	251	128-01170	Dial	1
256	256	101-00860	Steel ball	4
257	257	125-00530	Steel ball	1
258	258	128-00450	Spring (Dial)	1
259	259	125-00550	Set screw (M6x6)	1
260	260	128-00670	C-Type ring (No.10)	1
261	261	128-01101	Sleeve	1
262	262	125-00830	Spring (sleeve)	1
263	263	125-00901	Spring (clutch)	1
264	264	101-00920	Steel ball	1
265	265	125-00810	Retaining ring	2
266	266	125-00570	Ball bearing	2
267	267	125-00610	Ball bearing	2
268	268	152-03160	Ball bearing	1
310	310	175-03100	L-Wrench 6.0	1
311	311	202-03140	13mm wrench	1

Draw No.	Part No.	Order Code	Description	Q'ty
351	351	SQR38000	Bit No.3 SQUARE	1
371	371	101-02580	Spanner	1
401	401	152-03060	Rod handle fastener	1

*Assy		175-90060	MAGAZINE Assy FLR	1
84	84	101-02110	Nut (M4)	2
361	361	128-00310	Magazine	1
362	362	128-00320	Magazine holder	1
363	363	128-00332	Spring Plate (Strong)	1
364	364	128-00340	Magazine lid	1
365	365	128-00350	Magazine inner	1
366	366	128-00360	Hinge pin	1
367	367	128-01521	Bind head tap.screw (4x14 TYPE No.2)	1
368	368	128-02120	Pan head screw (M4x30)	2
369	369	125-01250	L Wrench (3.0)	1
370	370	128-01850	L-Wrench (4.0)	1

*Assy		402	VISRH910	Extension Handle	1
403	403	125-00690	Bind head tapping screw 4x8 type2	1	
411	411	902-004	Outer shaft	1	
412	412	902-005	Inner shaft	1	
413	413	901-010	Torque knob	1	
414	414	901-011	Grip	2	
415	415	901-013	Plastic washer	1	
416	416	901-014	Washer	1	
417	417	901-015	Lock plate	1	
418	418	140-01991	Handlebar (Long)	1	
419	419	901-002	Lock washer	1	
420	420	901-001	Bolt	1	

*Assy		175-90130	ADAPTOR KIT VL71-HP2032/HP2070F	1
B	131	175-00130	Joint Shaft HP2032	1
C	211	175-02110	Cap Screw M6x25 (Left Hand Thread)	1
D	15	175-00150	Joint Collar	1

- NOTE -

***Assy** : Can be supplied in assembly.

Subject to change without notice

