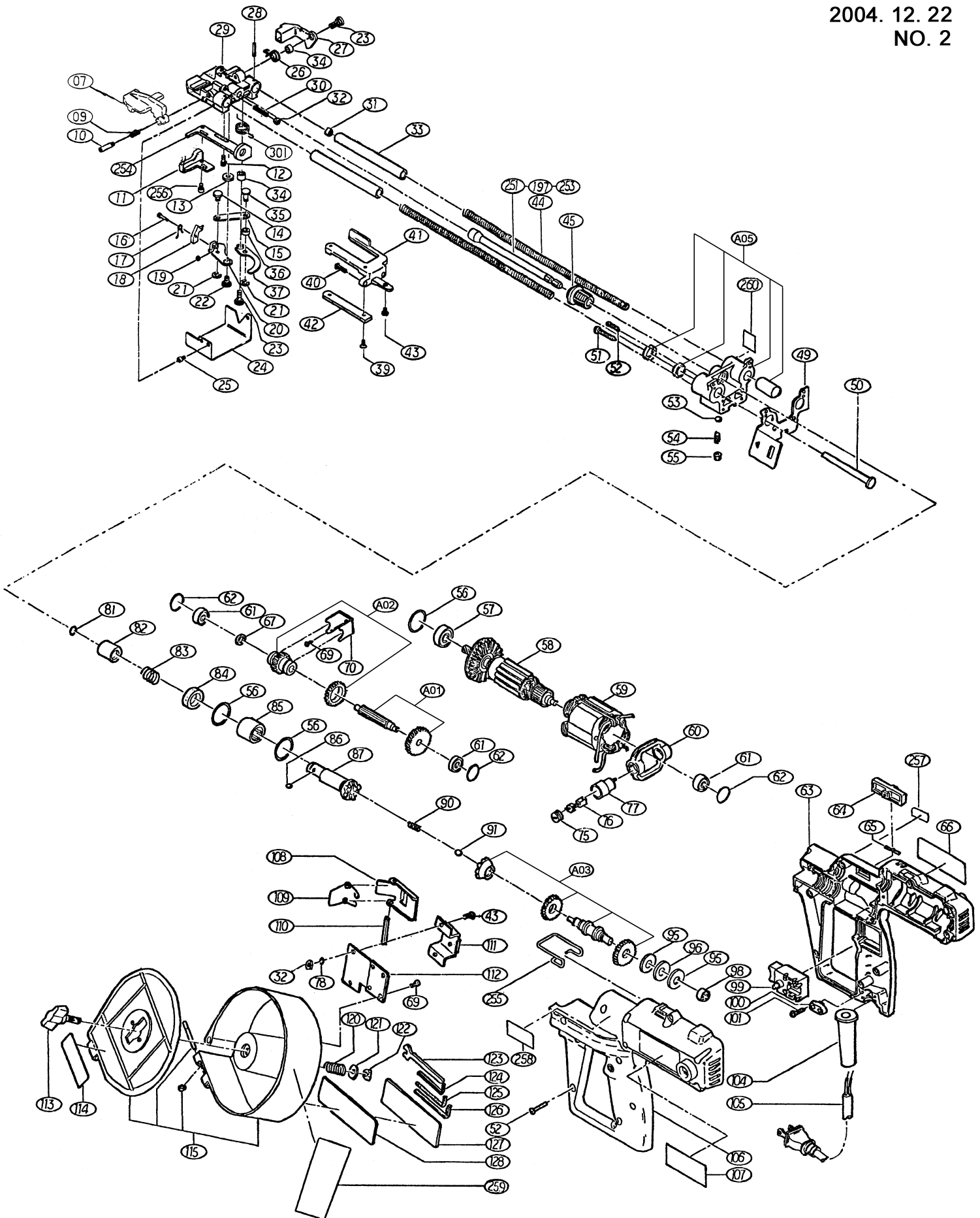


LHVL32

2004. 12. 22
NO. 2





LHVL32 PARTS LIST

Call Muro at 1-800-665-6876 for pricing information

15-Feb-05

Draw No.	Part No.	Order Code	Description	Q'ty
A01	A01	125-90110	VL32 Gear Assy-A	1
A02	A02	125-90120	VL32 Gear Assy-B	1
A03	A03	158-90040	VL32 Clutch Assy	1
A05	A05	125-90140	VL32 Ex Block Assy	1
40	40	125-00400	Pan head machine screw (M4x15)	2
41	41	145-00412	Stopper block LH	1
42	42	145-80420	Stopper B.plate LH	1
43	43	101-01300	Pan head screw (M4x8)	1
44	44	125-00441	Spring (slide) LW type	2
45	45	125-00450	Dial	1
49	49	125-00490	Magazine bracket LW	1
50	50	125-00500	Spring guide	2
51	51	125-00510	Bind head tapping screw 4x30 type2	2
52	52	128-01510	Bind head tap.screw (4x20 TYPE No.2)	14
53	53	125-00530	Steel ball	1
54	54	125-00540	Spring (plunger)	1
55	55	125-00550	Set screw (M6x6)	1
56	56	125-00561	O ring	3
57	57	125-00570	Ball bearing	1
58	58	125-00580	Armature Assy.	1
59	59	125-00590	Stator Assy.	1
60	60	125-00600	Brush holder guide	1
61	61	125-00610	Ball bearing	3
62	62	125-00621	O ring P16	3
63	63	125-00630	Housing A	1
64	64	125-00640	Lever	1
65	65	125-00650	Spring plate	1
66	66	125-00660	Label (MURO)	1
67	67	125-00670	Washer	1
69	69	125-00690	Bind head tapping screw 4x8 type2	1
70	70	125-00701	Fork	1
75	75	125-00750	Brush cap	2
76	76	125-00761	Carbon Brush	2
77	77	125-00770	Brush holder	2
81	81	125-00810	Retaining ring	1
82	82	125-00821	Sleeve	1
83	83	125-00830	Spring (sleeve)	1
84	84	125-00840	Filter	1
85	85	125-00850	Needle bearing	1
86	86	101-00860	Steel ball	2
87	87	125-10040	Socket	1
90	90	125-00901	Spring (clutch)	1
91	91	101-00920	Steel ball	1
95	95	125-00950	Thrust bearing	2
96	96	125-00960	Thrust bearing	1
98	98	125-00980	Needle bearing	1



LHVL32 PARTS LIST

Call Muro at 1-800-665-6876 for pricing information

15-Feb-05

Draw No.	Part No.	Order Code	Description	Q'ty
99	99	125-00990	Switch	1
100	100	125-01000	Cord stopper	1
101	101	125-01011	Bind head Tapping screw	2
104	104	125-01040	Cord guard	1
105	105	127-01050	Cord	1
106	106	125-01060	Housing B	1
107	107	127-01070	Name plate	1
197	197	HEX56000	Bit Hex 5/16"	1
251	251	PHL26000	Bit No.2 Phillips	1
253	253	HEX46000	Bit Hex 1/4"	1
255	255	125-02550	Hook	1
258	258	125-02580	Label (CAUTION)	1
260	260	125-02600	Label (Instruction B)	1

*Assy		145-90030	Vislider mecha Assy.LH	1
7	7	145-80071	Guide cover LH	1
9	9	122-02770	Spring cover	1
10	10	128-00050	Guide cover pin	1
11	11	145-00113	Screw guide LH	1
12	12	125-00121	Frang cap screw (M4x8)	1
13	13	101-00310	Spacer (Lever)	1
14	14	101-00330	Pin (Lever)	1
15	15	101-00360	Link	1
16	16	101-00210	Pin (Feed latch)	1
17	17	101-00220	Spring (Latch)	1
18	18	145-00181	Feed latch LH	1
19	19	101-00240	E Ring	1
20	20	145-00201	Feed lever LH	1
21	21	101-00260	E Ring	2
22	22	101-00391	Pin (Feed lever)	1
23	23	101-00381	Pin (Link lever)	2
24	24	145-00240	Cover LH	1
25	25	101-02180	Cap screw (M3x5)	3
26	26	145-00260	Spring (visrope guide) LH	1
27	27	145-00271	Visrope guide LH	1
28	28	101-00430	Spring pin (3x18)	2
29	29	145-00293	Feeder block LH	1
30	30	101-02020	Set screw (M4x20)	1
31	31	101-00461	Spring stopper	2
32	32	101-02110	Nut (M4)	2
33	33	125-00331	Guide pole	2
34	34	101-00320	Spacer (Link)	2
35	35	101-00340	Pin (Link)	1
36	36	101-00350	Spacer (Link)	1
37	37	145-00370	Link lever LH	1
254	254	145-02541	Adjusting Plate LH	1



LHVL32 PARTS LIST

Call Muro at 1-800-665-6876 for pricing information

15-Feb-05

Draw No.	Part No.	Order Code	Description	Q'ty
256	256	125-02560	Cap screw (M4x6)	1
301	301	145-02620	Spring (Link lever) LH	1

*Assy		125-90050	Magazine Assy.(VL32)	1
32	32	101-02110	Nut (M4)	2
43	43	101-01300	Pan head screw (M4x8)	2
69	69	125-00690	Bind head tapping screw 4x8 type2	4
78	78	101-00700	Spring washer (M4)	2
108	108	101-01030	Clamp plate	1
109	109	101-01040	Spring (holder)	1
110	110	101-01050	Spring pin (3x35)	1
111	111	101-01021	Magazine holder	1
112	112	125-01120	Magazine base	1
113	113	101-01200	Knob	1
114	114	101-01190	Label (magazine)	1
115	115	101-90081	Magazine case Assy.	1
120	120	101-01260	Spring (magazine)	1
121	121	101-01270	Washer	1
122	122	101-01281	Jam nut (M6)	1
123	123	101-02580	Spanner	1
124	124	101-02560	L Wrench (2.0)	1
125	125	125-01250	L Wrench (2.5)	1
126	126	101-02570	L Wrench (3.0)	1
127	127	125-01270	Wrench holder	1
128	128	125-01280	Double side tape	1
259	259	125-02590	Label (Instruction A)	1

- NOTE -

***Assy** : Can be supplied in assembly.

Subject to change without notice