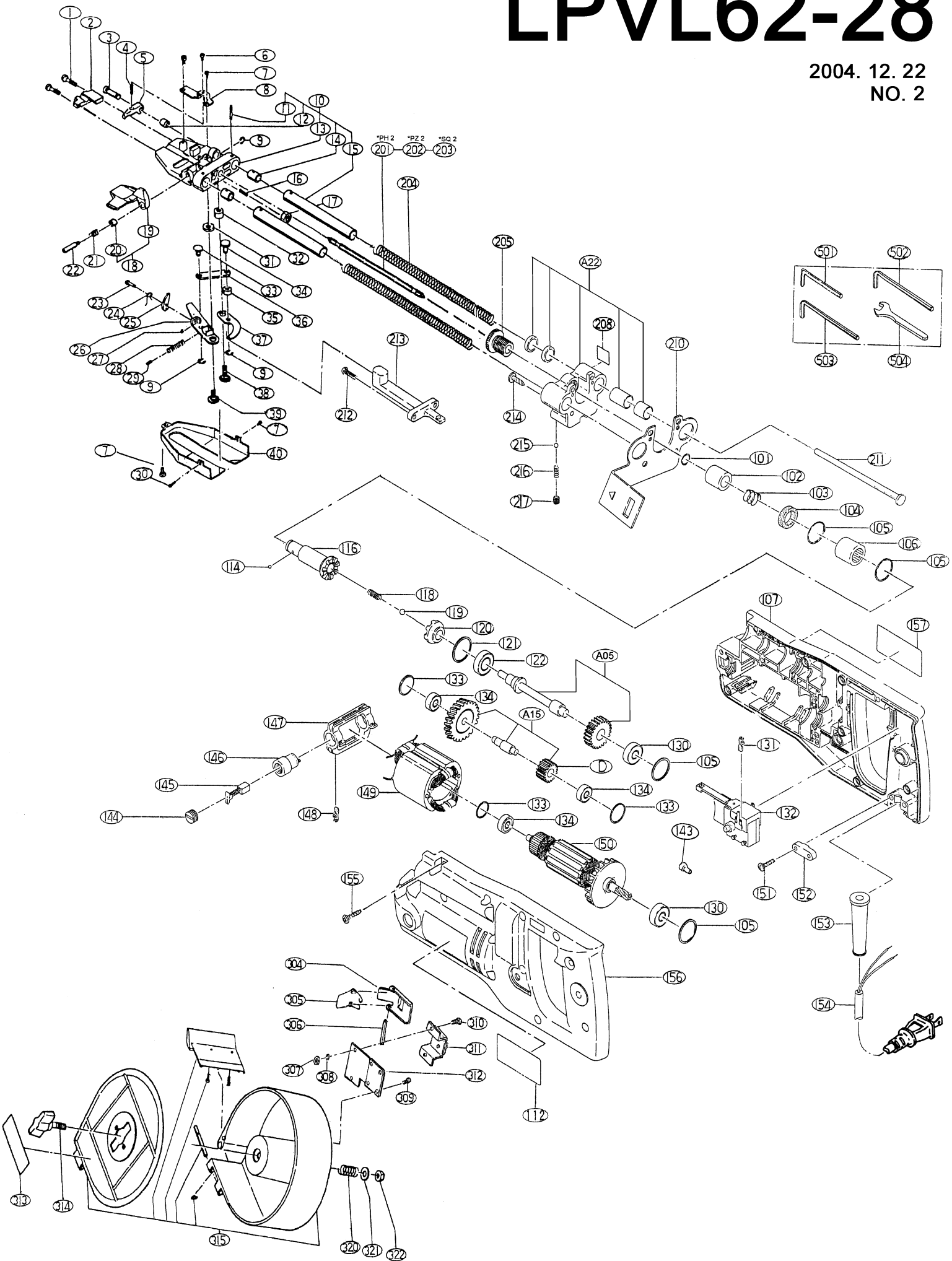


# LPVL62-28

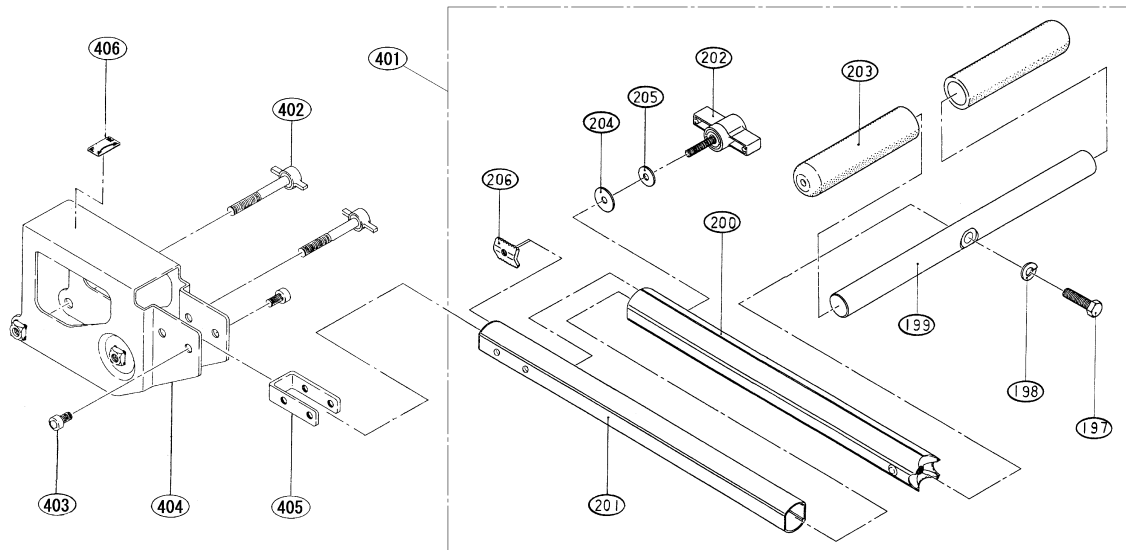
2004. 12. 22  
NO. 2



# SPECIAL ACCESSORIES (STANDARD ACCESSORIES)

2004. 12. 22  
NO. 2

## ROD HANDLE for VL62





# LPVL62-28 PARTS LIST

Call Muro at 1-800-665-6876 for pricing information

15-Feb-05

Draw No.	Part No.	Order Code	Description	Q'ty
A05	A05	152-90340	VL62 2800rpm Drive Shaft Assy	1
A15	A15	152-90150	VL62 2800rpm Gear Assy	1
A22	A22	152-90240	VL62-LP Ex Block Assy	1
101	101	125-00810	Retaining ring	1
102	102	125-00821	Sleeve	1
103	103	125-00830	Spring (sleeve)	1
104	104	125-00840	Filter	1
105	105	128-00660	O ring P22	4
106	106	125-00850	Needle bearing	1
107	107	152-03380	Housing A	1
112	112		Name Plate VL62-U-28	1
114	114	128-00510	Steel ball	4
116	116	125-10040	Socket	1
118	118	125-00901	Spring (clutch)	1
119	119	128-00530	Steel ball	1
120	120	125-00921	Clutch Disk	1
121	121	152-03180	O Ring P24	1
122	122	152-03160	Ball bearing	1
130	130	128-00550	Ball bearing	2
131	131	152-01310	Terminal STO-41T-110N-8	4
132	132	152-03510	Trigger switch	1
133	133	128-00650	O ring P16	3
134	134	125-00610	Ball bearing	3
143	143	202-03270	Connecting sleeve with insulator	4
144	144	125-00750	Brush cap	2
145	145	125-00761	Carbon Brush	2
146	146	125-00770	Brush holder	2
147	147	152-03400	Brush holder guide	1
148	148	152-01480	Terminal STO-41T-110N	2
149	149	128-01014	STATOR ASSY	1
150	150	128-01251	ARMATURE ASSY	1
151	151	125-01011	Bind head Tapping screw (Type2 4x16)	2
152	152	125-01000	Cord stopper	1
153	153	125-01040	Cord guard	1
154	154	130-01180	Cord	1
155	155	128-01512	Bind Head Tapping screw	12
156	156	152-03390	Housing B	1
157	157	128-01380	Label (MURO)	1
203	203	SQR27114	Bit No.2 SQUARE	1
204	204	152-03110	Spring (slide) VL62-S	2
205	205	125-00451	Dial VL62 SP,SL	1
208	208	125-02600	Label (Instruction B)	1
210	210	152-03030	Magazine bracket (VL62)	1
211	211	152-03411	Spring guide (VL62)	2
212	212	125-00400	Pan head machine screw (M4x15)	2
213	213	152-03350	Stopper block (LP) VL62	1



# LPVL62-28 PARTS LIST

Call Muro at 1-800-665-6876 for pricing information

15-Feb-05

Draw No.	Part No.	Order Code	Description	Q'ty
214	214	128-01512	Bind Head Tapping Screw	4
215	215	128-00520	Steel ball	1
216	216	125-00540	Spring (plunger)	1
217	217	128-01710	Set screw (M6x6)	1
230	230	202-02720	Toothed lock washer	4
501	501	101-02560	L Wrench (2.0)	1
502	502	101-02570	L Wrench (2.5)	1
503	503	128-01130	L Wrench (3.0)	1
504	504	101-02580	Spanner	1

*Assy		VISLIDER MECHA ASSY LP		1
1	1	101-00280	Cap screw (M3x14)	2
2	2	102-00031	Size piece	1
3	3	101-00070	Pin (Grip finger)	1
4	4	101-00081	Spring (Light)	1
5	5	101-00090	Grip finger	1
6	6	101-00270	Pan head screw (M3x5)	1
7	7	101-02180	Cap screw (M3x5)	4
8	8	102-00290	Cover (Finger)	1
9	9	101-00260	E Ring	3
11	11	101-00430	Spring pin (3x18) A Type	2
12	12	101-00440	Bush (Finger)	1
13	13	102-00450	Feeder block	1
14	14	101-00461	Spring stopper	2
15	15	152-03070	Guide pole (152 SUS)	2
16	16	101-02020	Set screw (M4x20)	1
17	17	101-02110	Nut (M4)	1
21	21	122-02770	Spring cover	1
22	22	101-00111	Pin (Guide cover)	1
23	23	101-00210	Pin (Feed latch)	1
24	24	128-00440	Spring (Latch)	1
25	25	102-00230	Feed latch	1
26	26	102-00250	Feed lever	1
27	27	101-00240	E Ring	1
28	28	102-02061	Spring (Lever)	1
29	29	102-02070	Spring pin (2x8) A Type	1
30	30	102-02160	Cap screw (M3x8)	1
31	31	101-00310	Spacer (Lever)	1
32	32	101-00320	Spacer (Link)	1
33	33	101-00330	Pin (Lever)	1
34	34	101-00340	Pin (Link)	1
35	35	101-00350	Spacer (Link)	1
36	36	101-00360	Link	1
37	37	101-00372	Link Lever	1
38	38	101-00381	Pin (Link lever)	1
39	39	101-00391	Pin (Feed lever)	1



# LPVL62-28 PARTS LIST

Call Muro at 1-800-665-6876 for pricing information

15-Feb-05

Draw No.	Part No.	Order Code	Description	Q'ty
40	40	102-00400	Cover	1
<b>*Assy</b> 152-99540 MAGAZINE Assy. VL62 L				1
304	304	101-01030	Clamp plate	1
305	305	101-01040	Spring (holder)	1
306	306	101-01050	Spring pin (3x35) A Type	1
307	307	101-02110	Nut (M4)	2
308	308	101-00700	Spring washer (M4)	2
309	309	125-00690	Bind head tapping screw 4x8 type2	4
310	310	101-01300	Pan head screw (M4x8)	2
311	311	101-01021	Magazine holder	1
312	312	125-01120	Magazine base	1
313	313	101-01190	Label (magazine)	1
314	314	101-01200	Knob	1
315	315	102-90091	Magazine case Assy. L Order	1
320	320	101-01260	Spring (Magazine)	1
321	321	101-01270	Washer	1
322	322	101-01281	Jam nut (M6)	1

<b>*Assy</b> 152-99560 ROD HANDLE VL62				1
402	402	901-012	Knob bolt (M6x50)	2
403	403	152-03170	Cap screw (M5x10)	4
404	404	152-03050	Rod handle bracket (VL62)	1
405	405	152-03060	Rod handle fastener	1
406	406	152-04060	Label F-R (ROD HANDLE)	1

<b>*Assy</b> 401 VISRH905 Extension Handle				1
197	197	901-001	Bolt	1
198	198	901-002	Lock washer	1
199	199	901-003	Handlebar	1
200	200	902-004	Outer shaft	1
201	201	902-005	Inner shaft	1
202	202	901-010	Torque knob	1
203	203	901-011	Grip	2
204	204	901-013	Plastic washer	1
205	205	901-014	Washer	1
206	206	901-016	Lock plate	1

- NOTE -

**\*Assy** : Can be supplied in assembly.

Subject to change without notice