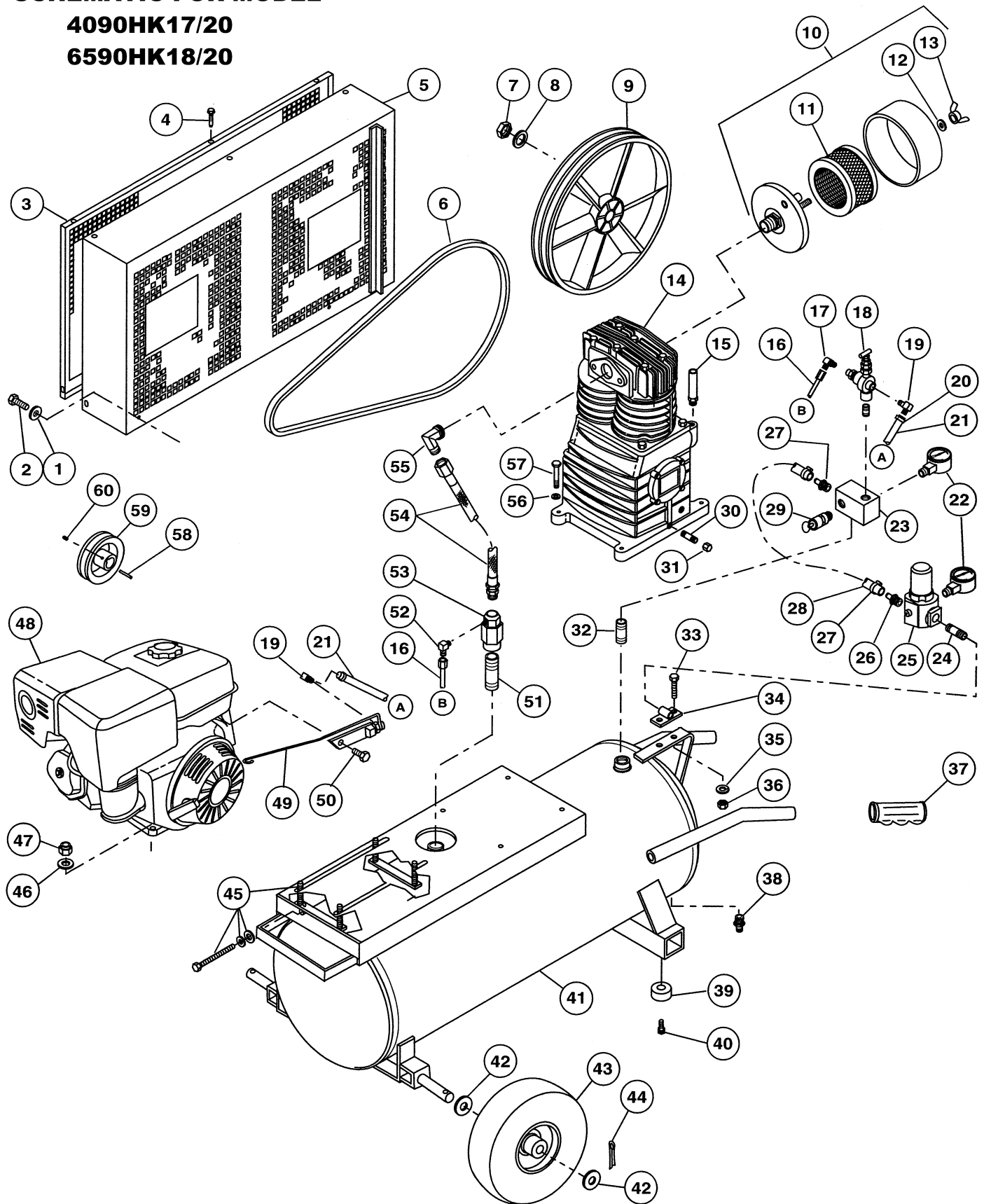


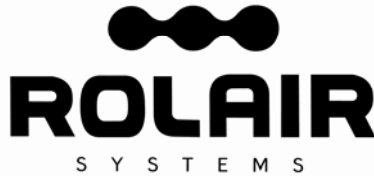
# ROLAIR

**SCHEMATIC FOR MODEL**

**4090HK17/20**

**6590HK18/20**





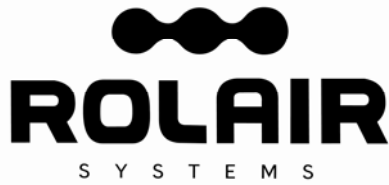
**ROLAIR SYSTEMS**  
 606 S. Lake Street, P.O. Box 346  
 Hustisford Wisconsin 53034-0346  
 Phone: 920-349-3281  
 Sales Fax: 920.349.3691  
 Service Fax: 920.349.8861  
[www.rolair.com](http://www.rolair.com)

**PARTS LIST FOR MODELS  
 4090HK17/20  
 6590HK18/20**

Schem. #	Description	Part #	Qty.	Schem. #	Description	Part #	Qty.
1	Washer	MIS10108	2	29	Safety Relief Valve	SRV0250N165	1
2	Bolt	MIS10023	2	30	Nipple	BLNP0250X1500	1
3	Belt Guard Cover	BG8145	1	31	Cap	BLCA0250	1
4	Bolt	MIS10094	5	32	Nipple	BLNP0500X1500	1
5	Belt Guard Base	BG8140B	1	33	Bolt	MIS10022	2
6	Belt	BT4L510	1	34	Accessory Bracket	210	1
7	Nut	37400720CH	1	35	Lock Washer	MIS10099	2
8	Washer	37500730CH	1	36	Nut	MIS10020	2
9	Flywheel	31007280CH	1	37	Handle Grip	328	2
10	Silencer/Filter Assembly	FS14050	1	38	Drain Valve	132BV	1
11	Filter Element - Replacement for Above	431	1	39	Rubber Foot	219	4
12	Washer	FSWASHER	1	40	Screw	MIS10008	4
13	Wing Nut	FSNUT	1	41	20 Gallon Tank Assembly	TNKASY4090K17/20	1
14	Twin Cylinder Pump w/Flywheel - MDL 4090HK17/20	PMP12K17CH	1	42	Washer	MIS10104	4
	Twin Cylinder Pump less Flywheel-MDL 4090HK17/20	PMP12K17CHLF	1	43	Fully-Pneumatic Tire w/Sealant	WLS30SEAL	2
	Twin Cylinder Pump w/Flywheel-MDL 6590HK18/20	PMP12K18CH	1	44	Cotter Pin	181B	2
	Twin Cylinder Pump less Flywheel-MDL6590HK18/20	PMP12K18CHLF	1	45	Belt Tightener/Mounting Kit	SBT5HP-ANGLE*	1
15	3/8" Breather/Oil Fill Plug	36507050CH	1	46	Washer	MIS10102	4
16	1/4" Copper Tubing - 24"	MIS11100	2'	47	Lock Nut	MIS10020B	4
	Brass Nut	BRNT0250	2	48	Honda Engine-MDL 4090HK17/20	ENG05H01	1
	Brass Ring	BRRG0250	2		Honda Engine-MDL 6590HK18/20	ENG06H01	1
17	Brass Elbow	BREL0250X025039	1		Optional Engine Drain Extension for Above	HDE5	1
18	Pilot Unloader Valve	131BIG	1	49	Throttle Control Kit	192EGX160K1QX	1
19	Brass Elbow	BREL0250X0125H16	2	50	Flange Bolt	HON90013-883-000	1
20	Hose Clamp	177	2	51	Nipple	BLNP0500X1500	1
21	1/4" Rubber Hose - 24"	178	2'	52	Brass Elbow	BREL0250X0125H16	1
22	Gauge	GA2050200GC	2	53	Check Valve	CV4X4L1	1
23	Aluminum Block Manifold	154	1	54	Braided Discharge Tube	145A	1
24	Nipple	BLNP0375X1500	1	55	Brass Elbow	145D	1
25	Regulator	REG0375	1	56	Lock Washer	MIS10099	4
26	Brass Coupler	BRCP0375X0375H12	2	57	Bolt	MIS10023	4
27	Hose Clamp	177A	2	58	Keystock	MIS10095C	1
28	3/8" Rubber Hose - 16"	178A	1.25'	59	Pulley	PUAK44X0750	1
				60	Setscrew	MIS10020C	1

\*For units built prior to February 2005, order SBT5HP-SQUARE.





**ROLAIR SYSTEMS**

606 S. Lake Street, P.O. Box 346  
 Hustisford Wisconsin 53034-0346  
 Phone: 920-349-3281  
 Sales Fax: 920.349.3691  
 Service Fax: 920.349.8861  
[www.rolair.com](http://www.rolair.com)

**PARTS LIST FOR PMP12K18**

Description	Part #	Qty.
Crankshaft	30201000CH	1
Bearing	30300030CH	2
Oil Seal	30300040CH	1
Bearing Carrier	30400830CH	1
Bearing Carrier	30400890CH	1
Gasket	30500130CH	1
Gasket	30500150CH	2
O-Ring	30509290CH	1
Gasket	30501120CH	1
Gasket	30501380CH	1
Gasket	30501390CH	1
Gasket	30501400CH	1
Flywheel	31007280CH	1
Bearing Shell	31100210CH	2
Bushing*	31100240CH	2
Connecting Rod w/Upper Bushing	31100750CH	2
Ring	31201330CH	2
Ring	31201340CH	2
Ring	31201350CH	2
Piston	31201360CH	2
Piston Pin	31201370CH	2
Head	31301440CH	1
Cylinder	31601300CH	1
Valve Plate	32701310CH	2
Valve	32701420CH	4
Crankcase	33101160CH	1
Sight Gauge	36500140CH	1
3/8" Breather/Oil Fill Plug	36507050CH	1
Bolt	37300250CH	4
Bolt	37301130CH	6
Bolt	37301140CH	6
Nut	37400220CH	4
Nut	37400720CH	1
Washer	37500310CH	4
Washer	37500400CH	6
Washer	37500730CH	1
Washer	37508130CH	14
Snap Ring	37600230CH	4
Filter Element	431	1
Plug	BLSQPL0250	1
Silencer/Filter Assembly	FS14050	1
Ring Set	K18RINGS	1
Gasket Set	K18GASKETS	1
Valve Plate Assembly	1800VK18	1
<b>OPTIONS-</b>		
O-Ring	30502510CH	1
Aftercooler	3290146ACH	1
Bolt	37302530CH	2
<b>NOTE:</b> Gasket for "old-style" Aftercooler	30501490CH	1

\*Bushing is not machined to fit piston pin if ordered separate from connecting rod.