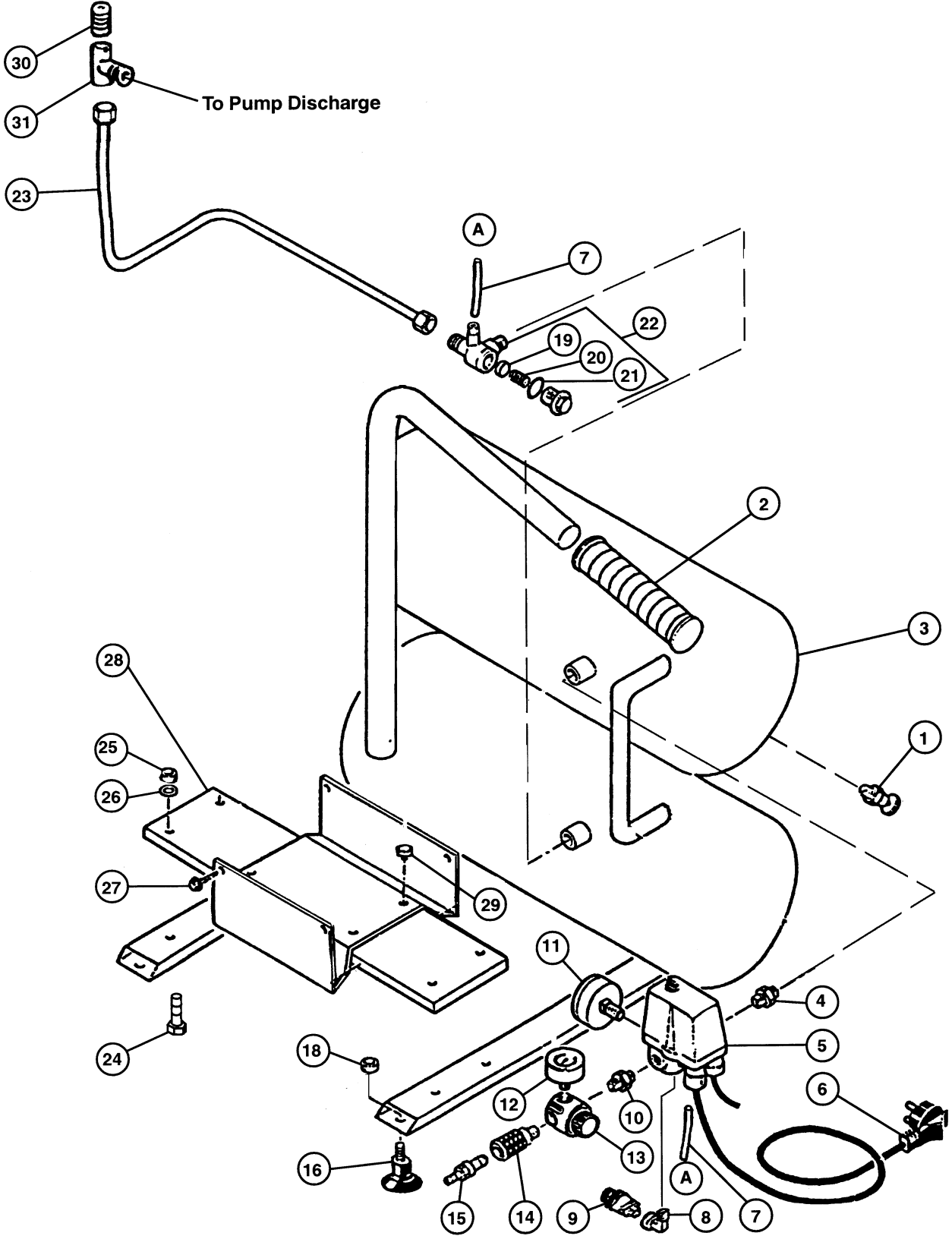


Rol-Air

SCHEMATIC FOR MODEL D2000HSSV5





Associate Engineering Corporation

606 S. Lake Street P.O. Box 346

Hustisford, Wisconsin 53034-0346

Phone: 920-349-3281

Sales Fax: 920.349.3691 Service Fax: 920.349.8861

www.rolair.net

PARTS LIST FOR D2000HSSV5

Schematic#	Description	Part#	Qty.
1	Drain Cock	022003000F	2
2	Handle Grip	127GH0012F	1
3	Tank Assembly	162H06000VF	1
4	Straight Fitting	199384000F	1
5	Pressure Switch	321020000F	1
6	Cord w/ Plug	164A08200F	1
7	Nylon Tubing	046001000F	1
8	Elbow	011002000F	1
9	Safety Relief Valve	047027000F	1
10	Bushing	011017000F	1
11	Tank Gauge	330026000F	1
12	Line Gauge	330006000F	1
13	Regulator	319021000F	1
14	Quick Disconnect	022016000F	1
15	Coupler Plug	011151000F	1
16	Rubber Foot	020004000F	4
18	Flange Nut	014003019F	4
19	Disc	047113001F	1
20	Spring	047113002F	1
21	O-Ring	010041000F	1
22	Check Valve	347043000F	1
23	Discharge Tube	127GH0011F	1
24	Bolt	014002021F	4
25	Nut	014003002F	4
26	Washer	014008003F	4
27	Screw	014013042F	4
28	Mounting Plate	127GH0010VF	1
29	Vibration Dampener	199575000F	4
30	Bleeder Valve	011158000F	1
31	Discharge Tee	199110520F	1
*	2HP Motor/Pump Assembly	PMPIIMK200/PFI	1

* See Schematic PMPIIMK200/PFI for internal Motor/Pump components