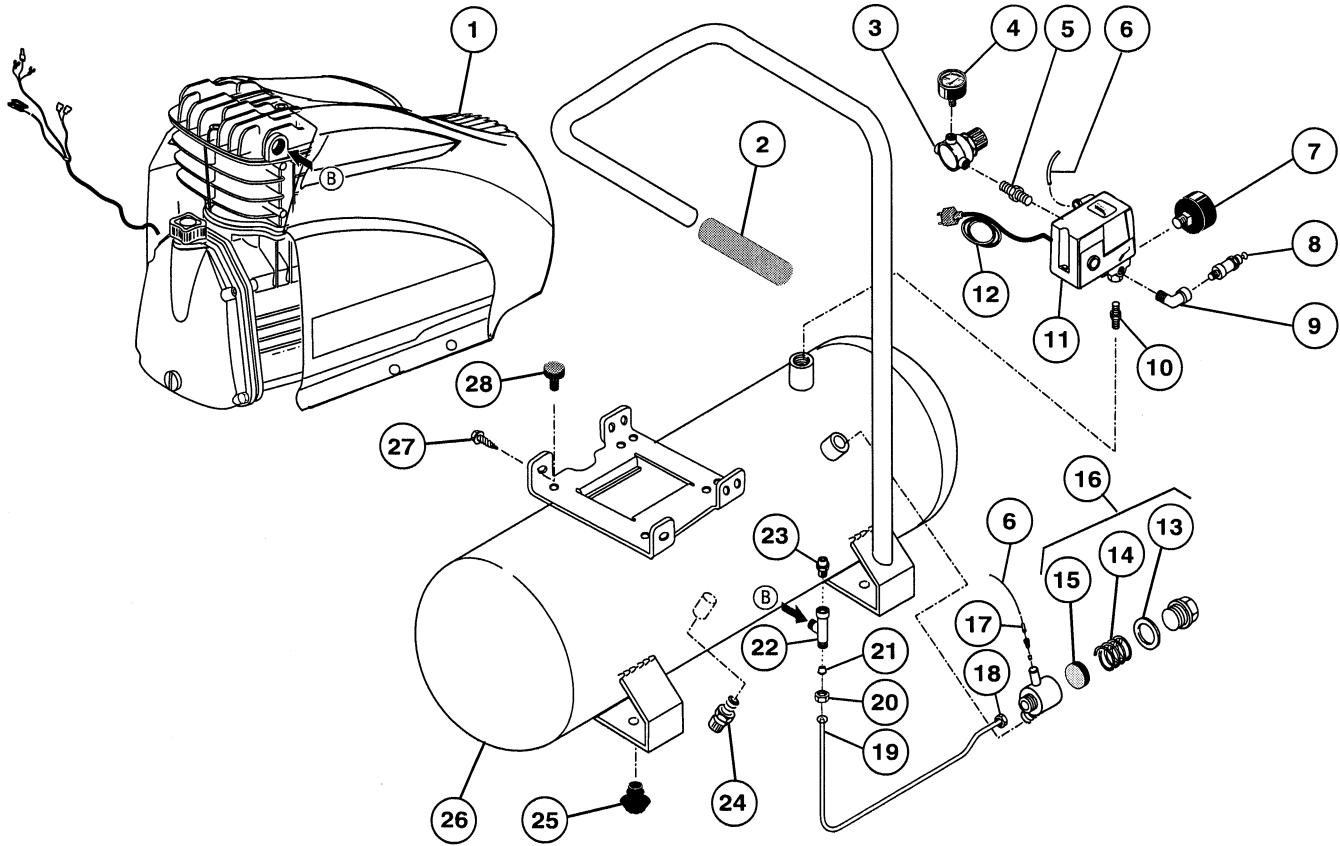
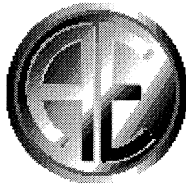


# Rol-Air

## SCHEMATIC FOR MODEL FC1500HS3





Associate Engineering Corporation  
606 S. Lake Street, P O Box 346  
Hustisford Wisconsin 53034-0346  
Phone: 920-349-3281  
Service Fax: 920.349.8861 Sales Fax: 920.349.3691  
[www.rolair.net](http://www.rolair.net)

### PARTS LIST FOR FC1500HS3

Schematic #	Description	Part #	Qty.
1	Complete Motor/Pump Assembly	PMP11SF2500FC	1
2	Handle Grip	FC127HQ0130	1
3	Regulator	FC319108000	1
4	Line Gauge	FC330006000	1
5	Nipple	FC011017001	1
6	Nylon Tubing	FC046001000	1
7	Tank Gauge	FC330052000	1
8	Safety Valve	FC047027001	1
9	Elbow	FC011056000	1
10	Nipple	FC199110140	1
11	Pressure Switch	FC321054000	1
12	Cord w/Plug	FC164A08300	1
13	O-Ring	FC010041000	1
14	Spring	FC047113002	1
15	Seal	FC047113001	1
16	Check Valve	FC347043000	1
17	Brass Insert	FC011304000	1
18	Locknut	FC199437000	1
19	Discharge Tube	FC168HQ0010	1
20	Locknut	FC011117002	1
21	Compression Ring	FC011117000	1
22	Discharge Tee	FC199617000	1
23	Bleeder Valve	FC011158000	1
24	Drain Cock	FC022029000	1
25	Rubber Foot	FC020146000	4
26	Tank Assembly	FC165A15001	1
27	Self-Tapping Screw	FC014013042	4
28	Vibration Dampener	FC199575000	4