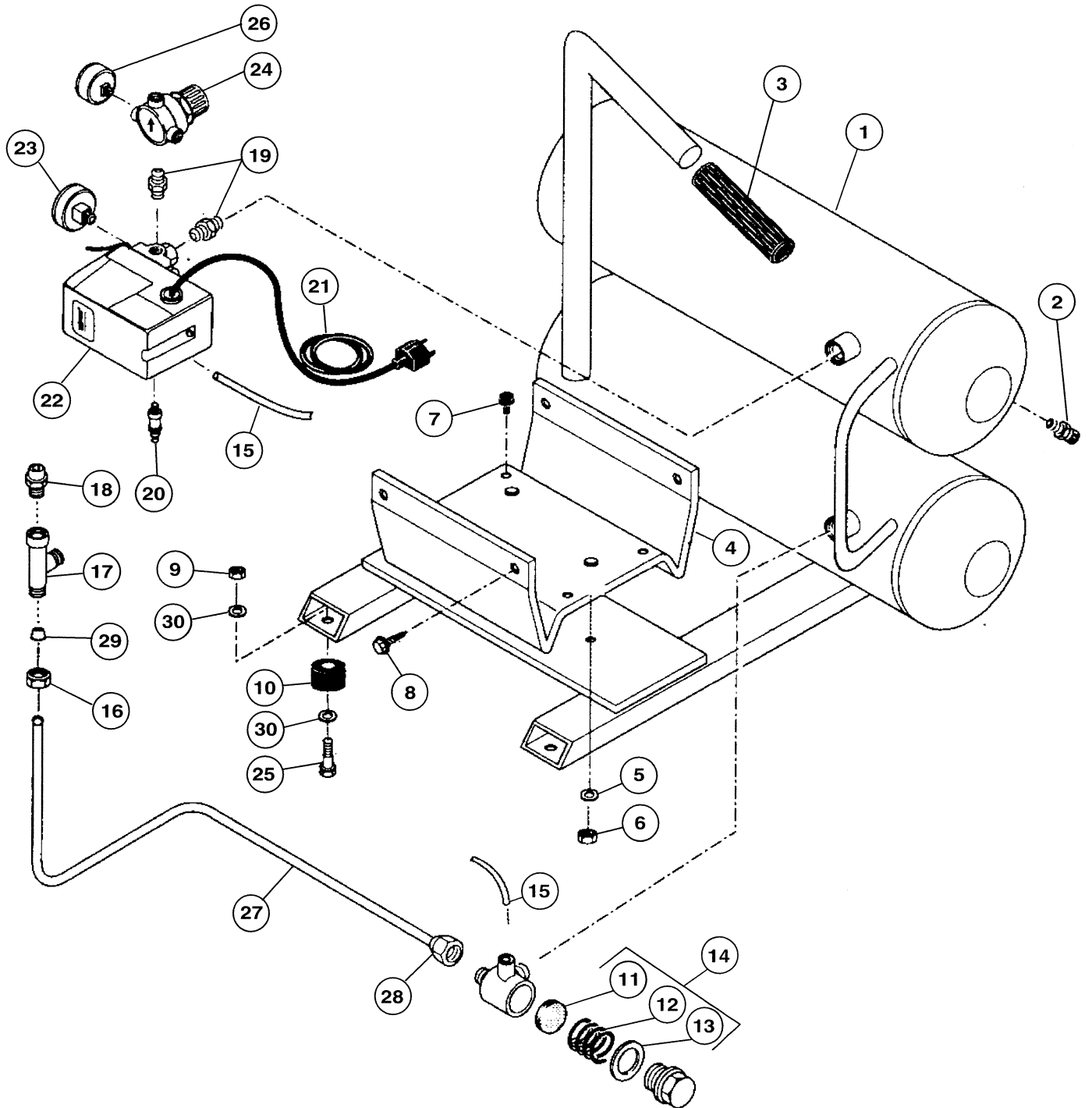
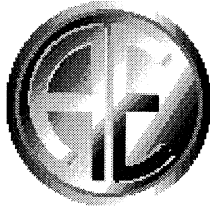


Rol-Air

SCHEMATIC FOR MODEL
FC2002





Associate Engineering Corporation

606 S. Lake Street, P.O. Box 346
 Hustisford Wisconsin 53034-0346
 Phone: 920-349-3281
 Sales Fax: 920.349.3691 Service Fax: 920.349.8861
www.rolair.net

PARTS LIST FOR FC2002

Schematic #	Description	Part #	Qty.
1	Tank Assembly	FC162QC0010	1
2	Drain Cock	FC022029000	2
3	Handle Grip	FC127GH0012	1
4	Mounting Plate	FC127GH0010	1
5	Washer	FC014005008	3
6	Nut	FC014003002	3
7	Vibration Damper	FC199575000	4
8	Self-Tapping Screw	FC014013042	4
9	Nut	FC014003001	4
10	Rubber Foot	FC020004001	4
11	Seal	FC047129001	1
12	Spring	FC047113002	1
13	O-Ring	FC010041000	1
14	Check Valve	FC347043000	1
15	Nylon Tubing	FC046001000	1 (11")
16	Locknut	FC011117002	1
17	Discharge Tee	FC199617000	1
18	Bleeder Valve	FC011158000	1
19	Nipple	FC011017000	1
20	Safety Valve	FC047026000	1
21	Cord w/Plug	FC164A08300	1
22	Pressure Switch	FC321054000	1
23	Tank Gauge	FC330052000	1
24	Regulator	FC319205000	1
25	Bolt	FC014001041	4
26	Line Gauge	FC330006000	1
27	Discharge Tube	FC2002-DISCH TB	1
28	Locknut	FC199437000	1
29	Compression Ring	FC011117000	1
30	Washer	FC014005002	8
	Complete Motor/Pump Assembly	PMP11MK246FC	1