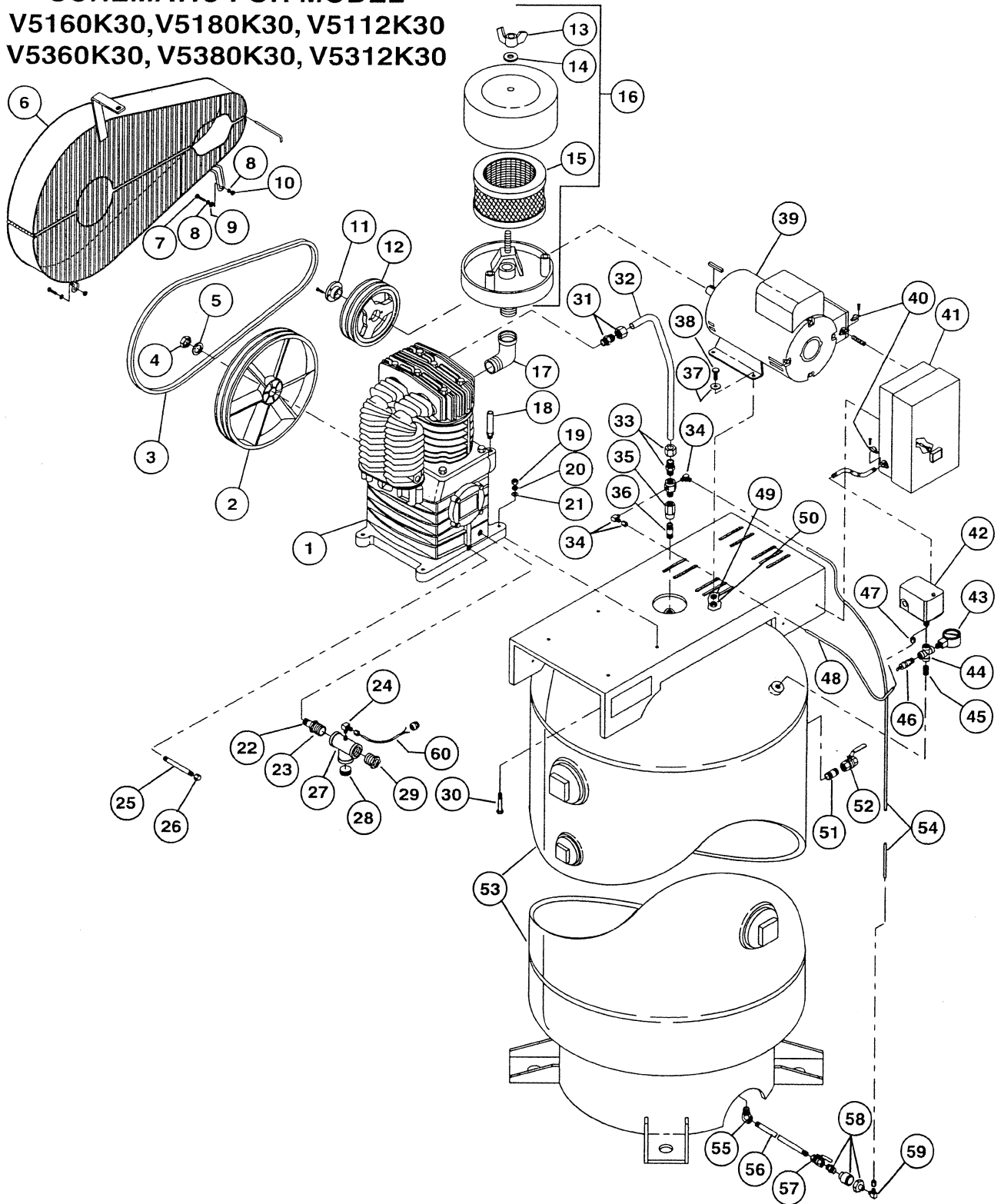


# Rol-Air

SCHEMATIC FOR MODEL  
V5160K30, V5180K30, V5112K30  
V5360K30, V5380K30, V5312K30





## Associate Engineering Corporation

606 S. Lake Street, P.O. Box 346  
 Hustisford Wisconsin 53034-0346  
 Phone: 920-349-3281 www.rolair.net  
 Sales Fax: 920.349.3691 Service Fax: 920.349.8861

## PARTS LIST FOR MODEL

V5160K30, V5360K30

V5180K30, V5380K30

V5112K30, V5312K30

| Schematic # | Description                                      | Part #          | Qty.             |
|-------------|--|-----------------|------------------|
| 1           | II Stage Pump w/Flywheel                         | PMP22K30CH      | 1                |
|             | II Stage Pump Less Flywheel                      | PMP22K30CHLF    | 1                |
| 2           | Flywheel   | 31003040CH      | 1                |
| 3           | Belt   | BTA66           | 2                |
| 4           | Flywheel Nut                                     | 37403780CH      | 1                |
| 5           | Flywheel Washer                                  | 37502450CH      | 1                |
| 6           | Belt Guard                                       | BG128           | 1                |
| 7           | 1/4" x 1" Bolt                                   | MIS10005        | 2                |
| 8           | 1/4" Flat Washer                                 | MIS10102        | 2                |
| 9           | 3/8" Flat Washer                                 | MIS10103        | 2                |
| 10          | 1/4" Nut   | MIS10001        | 2                |
| 11          | Bushing  | H1X1.125        | 1                |
| 12          | Motor Pulley                                     | PU2BK80H        | 1                |
| 13          | Wingnut  | FSNUT           | 1                |
| 14          | Washer   | FSWASHER        | 1                |
| 15          | Intake Element                                   | 431             | 1                |
| 16          | Filter/Silencer Assembly                         | FS14075         | 1                |
| 17          | 3/4" x 90° Street Elbow                          | BLEL0750X90S    | 1                |
| 18          | 3/8" Breather/Oil Fill Plug w/"O" Ring           | 36507050CH      | 1                |
| 19          | 3/8" Nut   | MIS10040        | 4                |
| 20          | 3/8" Lock Washer                                 | MIS10100        | 4                |
| 21          | 3/8" Flat Washer                                 | MIS10103        | 4                |
| 22          | 1/2" x 2 1/2" Nipple                             | BLNP0500X2500   | 1                |
| 23          | Bushing  | BLBS1000X0500   | 1                |
| 24          | 1/4" x 90° Brass Elbow                           | BREL0250X025039 | 1                |
| 25          | 1/4" X 4" Nipple                                 | BLNP0250X4000   | 1                |
| 26          | 1/4" Black Cap                                   | BLCA0250        | 1                |
| 27          | 1" Tee   | BLTE1000        | 1                |
| 28          | 1" Countersunk Plug                              | BLC SPL1000     | 1                |
| 29          | Sight Glass (Standard Production)                | 36500140CH      | 1                |
|             | Gasket (Standard Production)                     | 30500130CH      | 1                |
|             | Sight Glass (As shown on unit w/Low Oil Control) | TF050101AV      | 1                |
| 30          | 3/8" x 1 1/2" Bolt                               | MIS10043        | 4                |
| 31          | 3/4" Brass Straight                              | BRST0750X075038 | 1                |
| 32          | 3/4" Copper Tubing                               | MIS11102A       | 1.5'             |
| 33          | 3/4" Brass Straight w/1/2" NPT                   | BRST0750X050038 | 1                |
| 34          | 1/4" Elbow w/1/8" NPT                            | BREL0250X012539 | 1                |
| 35          | Check Valve (Standard Production)                | CV4X4L1         | 1                |
|             | Check Valve (As Shown w/Automatic Tank Drain)    | CV4X4L2         | 1                |
| 36          | 1/2" x 1 1/2" Nipple                             | BLNP0500X1500   | 1                |
| 37          | 3/8" Flat Washer                                 | MIS10103        | 4                |
| 38          | 5/16" x 7/8" Bolt                                | MIS10022        | 4                |
| 39          | 5 HP, 1 Phase, 1740 Motor "V51 Series"           | MTRG104         | 1                |
|             | 5 HP, 3 Phase, 1740 Motor "V53 Series"           | MTRG303         | 1                |
| 40          | Box Connector                                    | 161             | 2                |
| 41          | Magnetic Starter, 1 Phase                        | MAG51F230V      | 1                |
|             | Magnetic Starter, 3 Phase                        | MAG53F230V      | 1                |
| 42          | Pressure Switch                                  | PS2020M         | 1                |
| 43          | Gauge - 300 PSI                                  | GA0250300       | 1                |
| 44          | 1/4" Cross                                       | BLCR0250        | 1                |
| 45          | 1/4" x 1 1/2" Nipple                             | BLNP0250X1500   | 1                |
| 46          | ASME Safety Valve - 200 PSI                      | SRV0250A200     | 1                |
| 47          | Pressure Switch Relief Valve                     | PS2020RV        | 1                |
| 48          | 1/4" Nylon Tubing                                | 178D            | 1.5'             |
|             | 1/4" Brass Nut                                   | BRNT0250        | 2                |
|             | 1/4" Brass Ring                                  | BRRG0250        | 2                |
|             | 1/4" Brass Sleeve                                | BRS L0250       | 2                |
| 49          | 5/16" Lock Washer                                | MIS10099        | 4                |
| 50          | 5/16" Nut  | MIS10020        | 4                |
| 51          | 1/2" x 2 1/2" Nipple                             | BLNP0500X2500   | 1                |
| 52          | 1/2" Shut-Off Valve                              | SOV0500B        | 1                |
| 53          | 60 Gallon Tank Assembly                          | TNK060AV        | 1                |
|             | 80 Gallon Tank Assembly                          | TNK080AV        | 1                |
|             | 120 Gallon Tank Assembly                         | TNK120AV        | 1                |
| 54          | 1/4" Copper Tubing                               | MIS11100        | (Specify Length) |
| 55          | 1/4" Street Elbow                                | BLEL0250X90S    | 1                |
| 56          | 1/4" Nipple                                      | BLNP0250X4000   | 2                |
| 57          | 1/4" Shut-Off Valve                              | SOV0250B        | 1                |
| 58          | Automatic Tank Drain                             | 3800H           | 1                |
| 59          | 1/8" x 1/4" Brass Elbow                          | BREL0250X012539 | 1                |
| 60          | Low Oil Control                                  | 162745          | 1                |