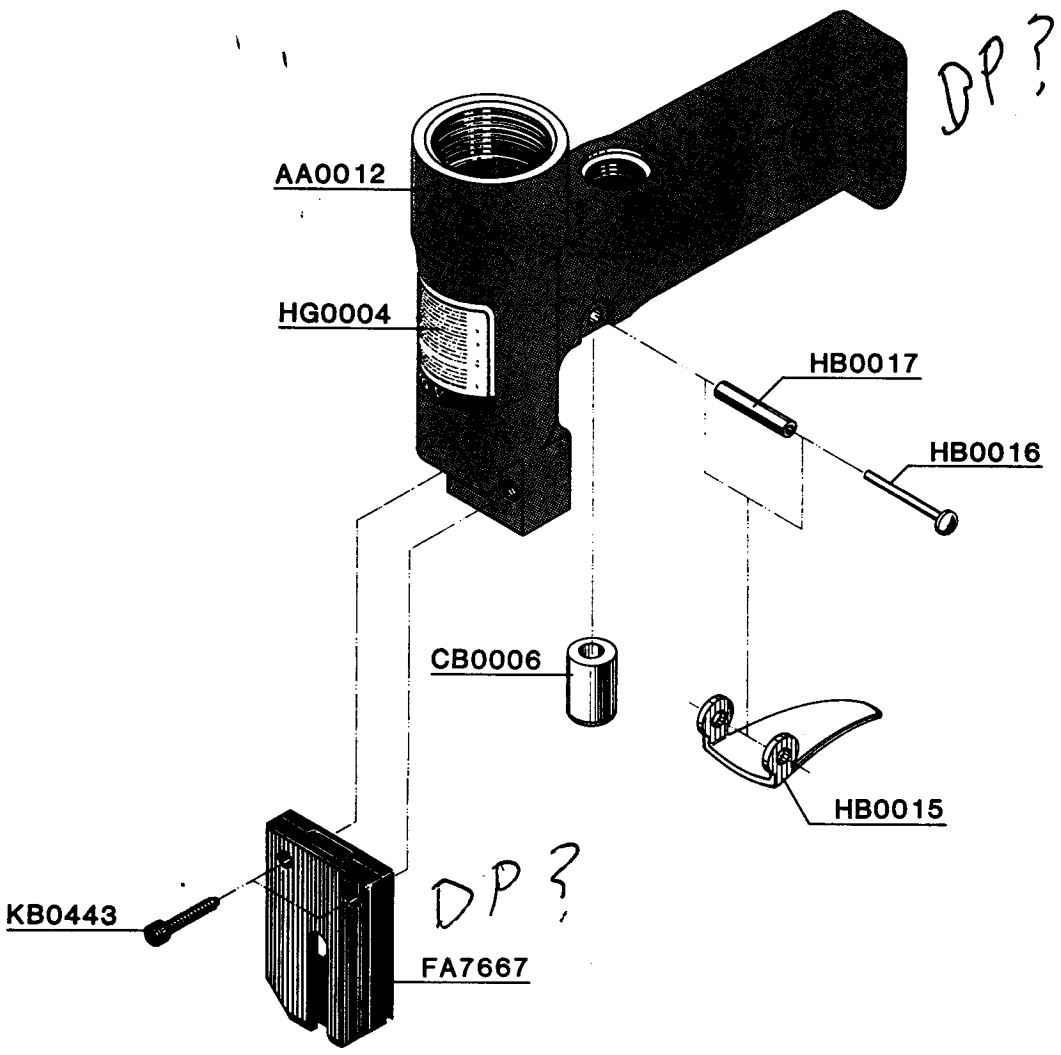
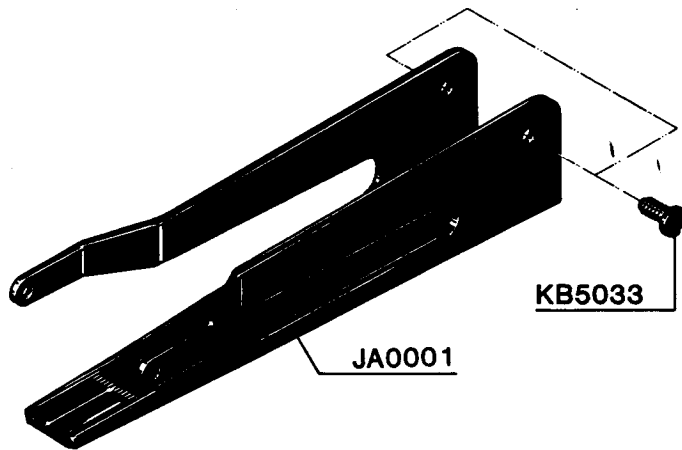
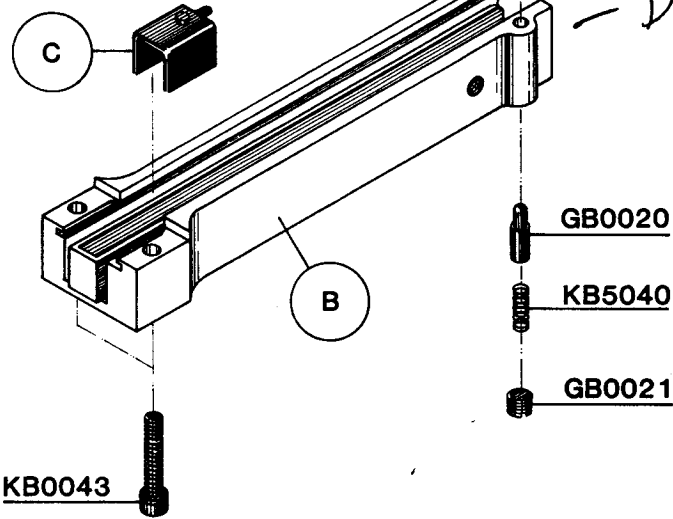
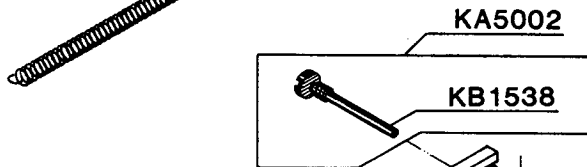
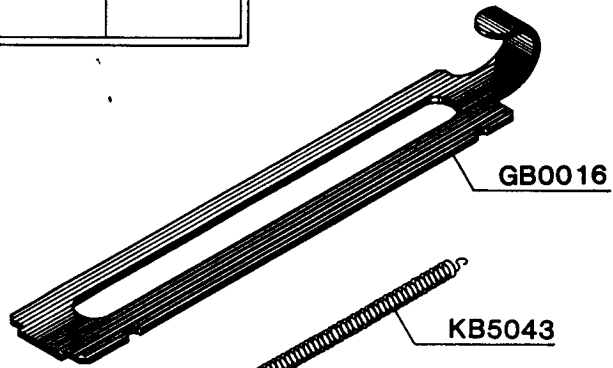


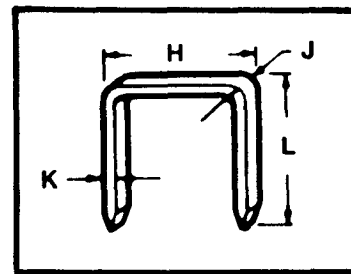
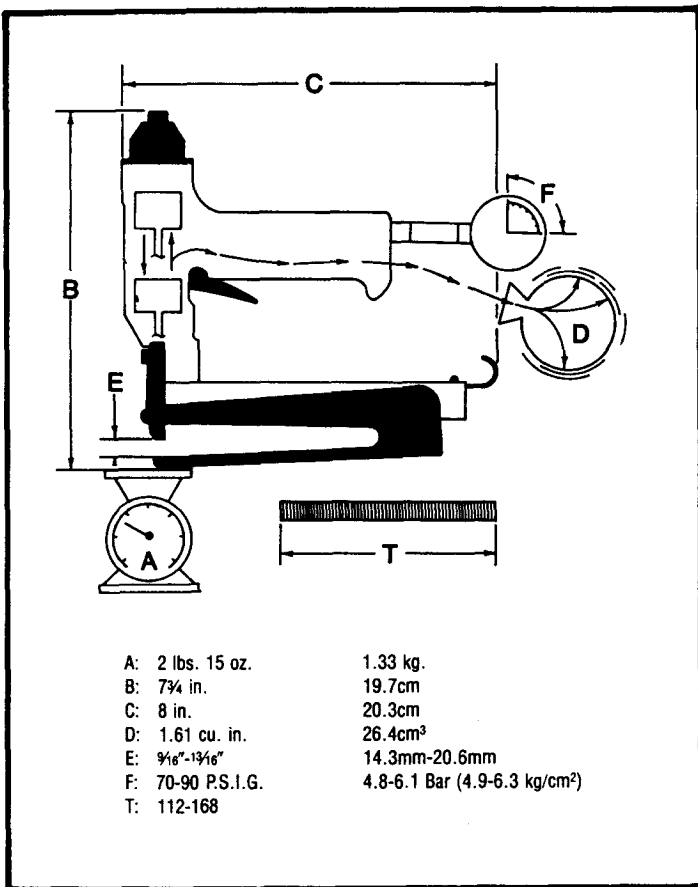
*Does not include O-rings

MODEL	A
030002N (DFP 1/2)	EB0057
030006N (DFP 1/4)	EB0057
(DP)	EB0056



MODEL	B	C
030002N (DFP 1/2)	GA0064	GA0059
030006N (DFP 1/4)	GA0063	GA0068





H: ½ in. 12.7mm
 J: .030 in. .76mm
 K: .021 in. .53mm
 L: ¼ in.-½ in. 6.4mm-12.7mm

H: ½ in. 12.7mm
 J: .050 in. 1.2mm
 K: .019 in. .47mm
 L: ¼ in.-½ in. 6.4mm-12.7mm

D REPLACEMENT PARTS CHART

PART #	DESCRIPTION	PART #	DESCRIPTION	PART #	DESCRIPTION
AA0012	MAIN BODY ASSY.	GA0059	FEEDER SHOE (½")	KB0043	SCREW
BA0045	UPPER PISTON ASSY.	GA0063	MAGAZINE (¼")	KB0443	SCREW
BB0034	LOWER PISTON STOP	GA0064	MAGAZINE (½")	KB5029	VALVE SEATING SPRING
BB0041	CYLINDER CAP	GA0068	FEEDER SHOE (¼")	KB5031	DRIVER RETURN SPRING
BB0044	UPPER PISTON STOP	GB0016	STAPLE DOOR	KB5033	SCREW
CA0020	FIRING VALVE CAP ASSY.	GB0020	STAPLE DOOR LOCK	KB5040	SPRING
CA0021	FIRING VALVE ASSY.	GB0021	LOCK RETAINER	KB5041	SPRING
CB0006	TRIGGER VALVE	HB0015	TRIGGER	KB5043	SPRING
EB0051	DRIVER PIN	HB0016	PIN	LB0062	SEAL
EB0052	DRIVER COUPLING	HB0017	TRIGGER BUSHING	LB0063	SEAL
EB0056	DRIVER (DP)	HG0004	LABEL (SAFETY PRECAUTIONS)	LB5014	SEAL
EB0057	DRIVER (DFP)	JA0001	ANVIL ASSY.	LB5015	SEAL
EC0062	LOWER PISTON	JB0006	YOKE		
FA7667	GUIDE BODY	KA5001	SPRING RETAINER		