

MWXP

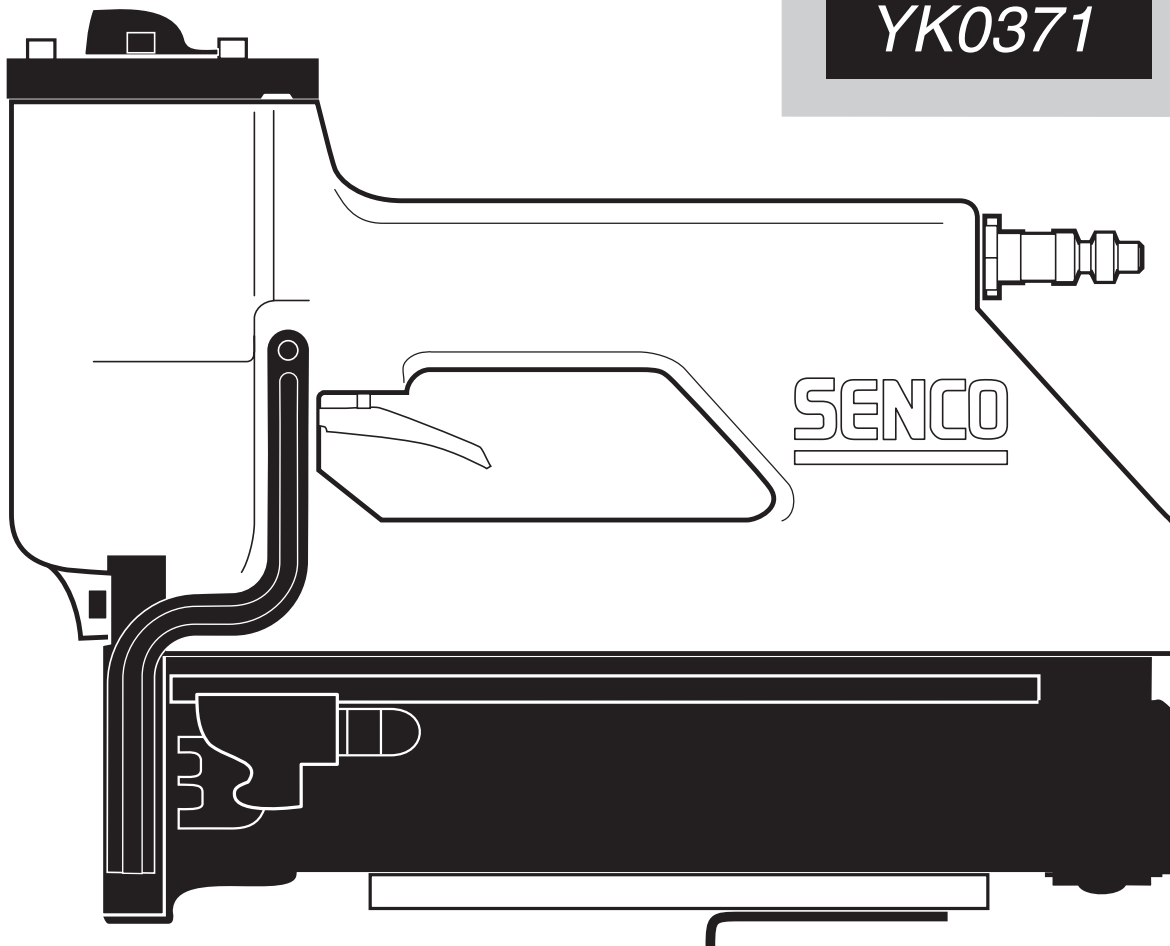


Parts Reference Guide



Repair Kit

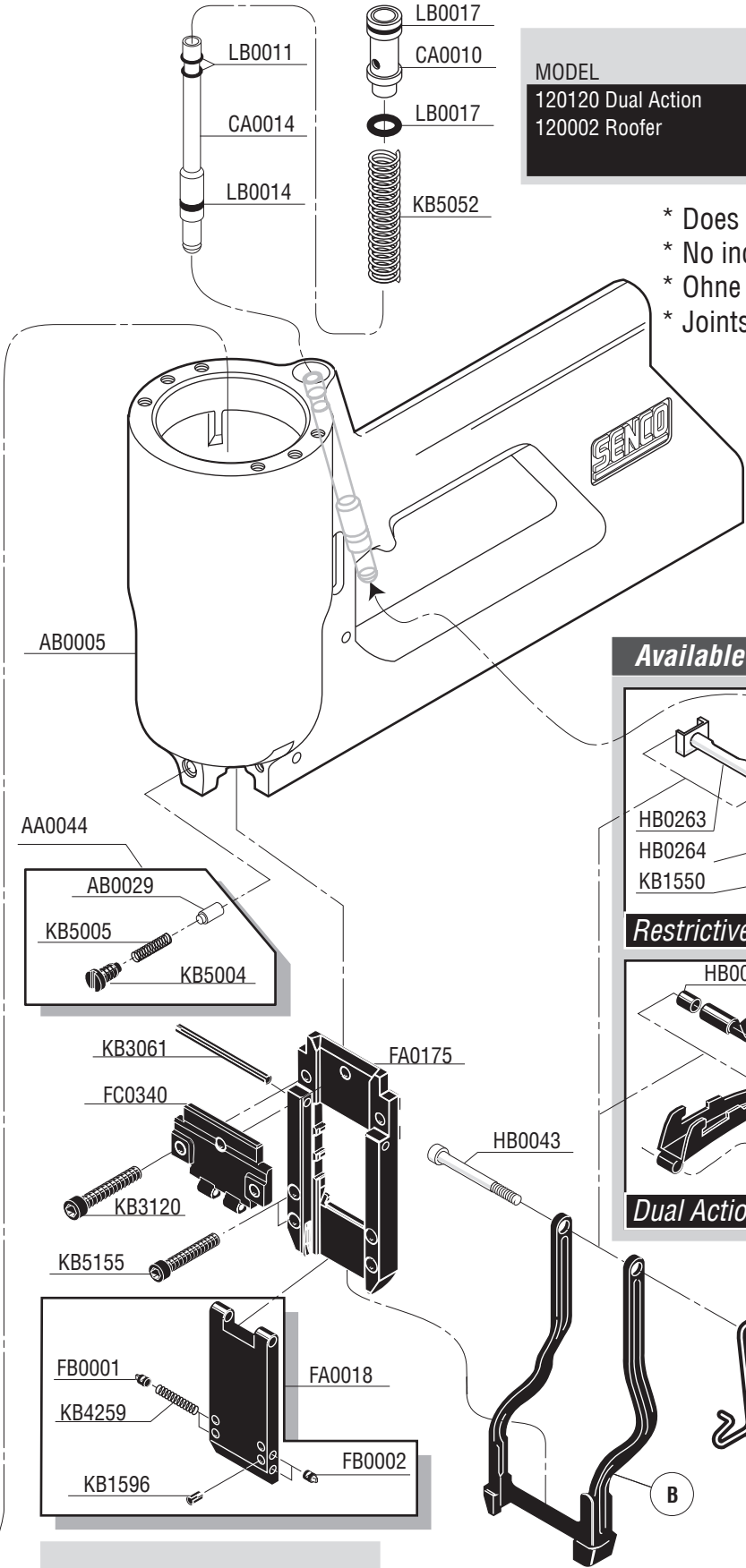
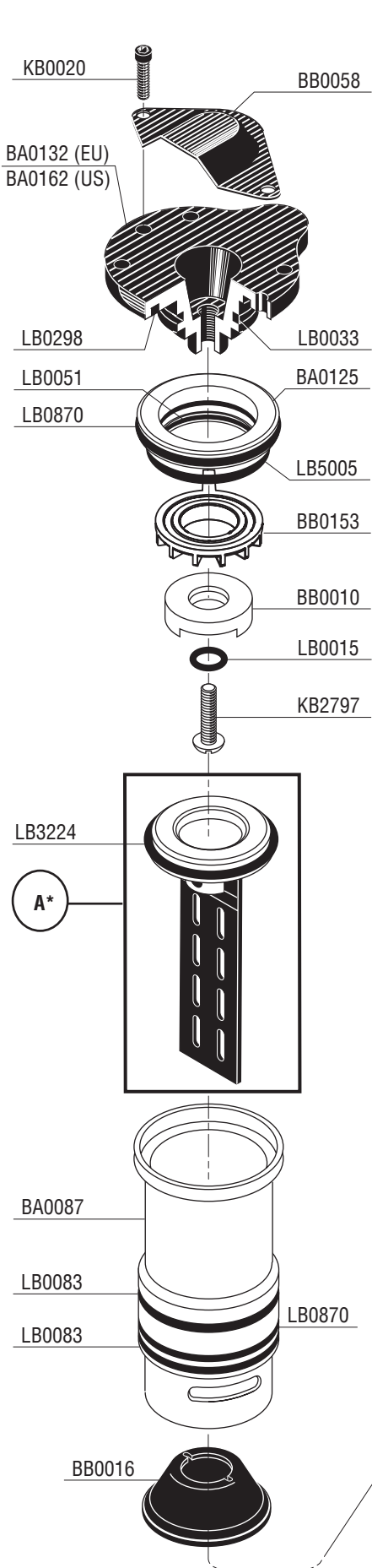
YK0371



*** Schematic drawings inside**

Senco Brands Inc.
4270 Ivy Pointe Blvd.
Cincinnati, Ohio 45245
Visit Our Website: www.senco.com
EU Website: www.verpa-senco.com

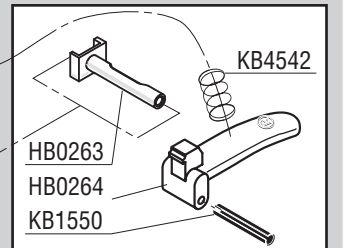
Questions? Comments? call SENCO's toll-free Action-line:
1-800-543-4596 (North & South America only)
or e-mail: toolprof@senco.com



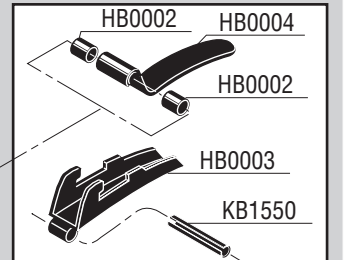
MODEL	A	CSK
120120 Dual Action	EA0101	1/8"
120002 Roofer	EA0101	1/8"
	EA0105	REG

- * Does Not Include O-rings
- * No incluye sellos de gomas
- * Ohne Dichtringe
- * Joints exclus

Available Triggers

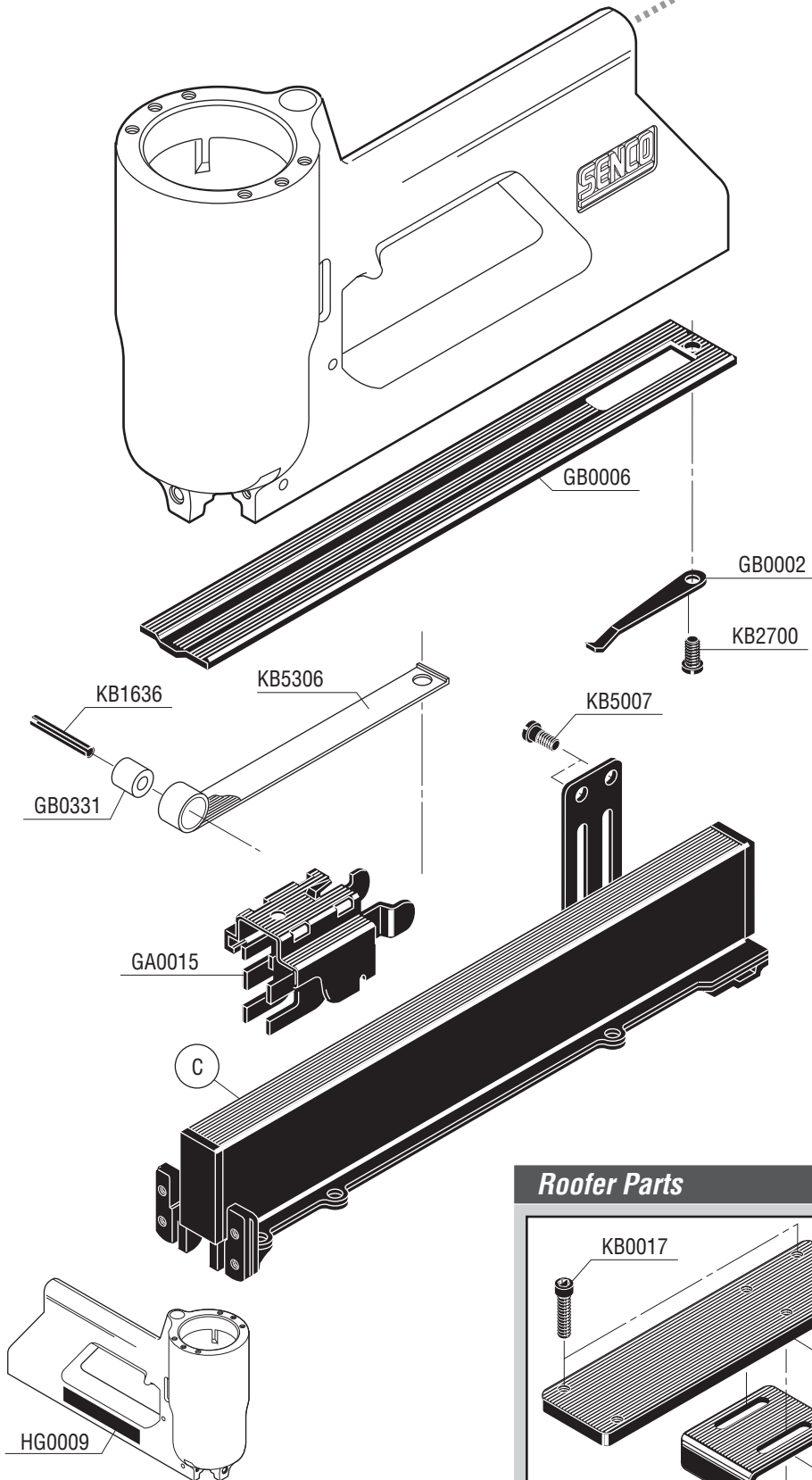


Restrictive

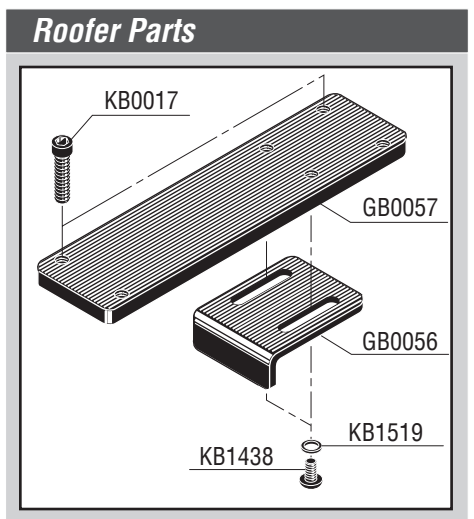


Dual Action

MODEL	B
120120 Dual Action	HA0007
120002 Roofer	HA0019



MODEL	C
120120 Dual Action	GA0013
120002 Restrictive	GA0181



Available Plugs
(Not Included with Tool)

	PC0480
Ind. Interchange 3/8" NPT	
	PC0485 ✓
Ind. Interchange 3/8" NPT	
	PC0469
Tru-Flate 3/8" NPT	
	PC0475 ✓
Tru-Flate 3/8" NPT	

✓ **Recommended Plugs**
Plugs shown smaller than actual size

PART NO.	DESCRIPTION	DESCRIPCIÓN	BESCHREIBUNG	DÉSIGNATION
AA0044	DETENT ASSEMBLY	ASAMBLE DE FRENO	BREMSE-ZUSAMMENBAU	FREIN D'ASSEMBLEE
AB0005	MAIN BODY	CARCASA	GEHÄUSE	CORPS
AB0029	DETENT	FRENO	BREMSE	FREIN
AB0080	MAIN BODY	CARCASA	GEHÄUSE	CORPS
BA0087	CYLINDER ASSEMBLY	ASAMBLE DE CILINDRO	ZYLINDER-ZUSAMMENBAU	CYLINDRE D'ASSEMBLEE
BA0125	VALVE ASSEMBLY	ASAMBLE DE VÁLVULA	VENTIL-ZUSAMMENBAU	VALVE D'ASSEMBLEE
BA0162	CAP	TAPA	KAPPE	BOUCHON
BB0010	SPACER	SEPARADOR	SISTANZSTÜCK	ENTRETOISE
BB0016	STOP	TOPE	PUFFER	ARRÊT
BB0058	DEFLECTOR	DESVIADOR	ABWEISER	DÉFLECTEUR
BB0153	VALVE	VÁLVULA	VENTIL	VALVE
CA0010	HOUSING	ALOJAMIENTO	GEHÄUSE	CORPS
CA0014	CORE ASSEMBLY	ASAMBLE DE VÁSTAGO	VENTILSTIFT-ZUSAMMENBAU	NOYAU D'ASSEMBLÉE
EA0101	PISTON ASSEMBLY	ASAMBLE DE PISTON	KOLBEN-ZUSAMMENBAU	ENSEMBLE PISTON-COUTEAU
FA0018	DOOR	PUERTA	ABDECKSCHIEBER	PORTE
FA0175	PLATE	PLACA	PLATTE	PLAQUE
FB0001	PIN	PASADOR	STIFT	GOUPILLE
FB0002	PIN	PASADOR	STIFT	GOUPILLE
FC0340	PLATE	PLACA	PLATTE	PLAQUE
GA0013	RAIL ASSEMBLY	ASAMBLE DE CARRIL	SCHIENE-ZUSAMMENBAU	RAIL D'ASSEMBLÉE
GA0015	FEEDER SHOE	ALIMENTADOR	NAGELSCHIEBER	POUSSOIR
GB0002	RETAINER	JUNTA TÓRICA	SICHERUNGSRING	RETENUE
GB0006	GUIDE	GUÍA	FÜHRUNG	GUIDE
GB0056	GUIDE	GUÍA	FÜHRUNG	GUIDE
GB0057	PLATE	PLACA	PLATTE	PLAQUE
GB0331	ROLLER	RODILLO	ROLLE	GALET
HA0007	SAFETY ELEMENT	SEGURO	SICHERHEITSVORRICHTUNG	PALPEUR DE SÉCURITÉ
HB0002	BUSHING	CASQUILLO	HÜLSE	DOUILLE
HB0003	TRIGGER	GATILLO	AUSLÖSER	GÂCHETTE
HB0004	TRIGGER	GATILLO	AUSLÖSER	GÂCHETTE
HB0043	PIN	PASADOR	STIFT	GOUPILLE
HB0263	BUSHING	CASQUILLO	HÜLSE	DOUILLE
HB0264	TRIGGER	GATILLO	AUSLÖSER	GÂCHETTE
HG0009	LABEL	ETIQUETA	AUFKLEBER	ÉTIQUETTE
	(SAFETY PRECAUTIONS)	(NORMAS DE SEGURIDAD)	(SICHERHEITSHINWEISE)	(PRÉCAUTIONS DE SÉCURITÉ)
KB0017	SCREW	TORNILLO	SCHRAUBE	VIS
KB0020	SCREW	TORNILLO	SCHRAUBE	VIS
KB1438	SCREW	TORNILLO	SCHRAUBE	VIS
KB1519	WASHER	ARANDELA	SCHEIBE	RONDELLE
KB1550	PIN	PASADOR	STIFT	GOUPILLE
KB1596	PIN	PASADOR	STIFT	GOUPILLE
KB1636	PIN	PASADOR	STIFT	GOUPILLE
KB2700	SCREW	TORNILLO	SCHRAUBE	VIS
KB2714	NUT	TUERCA	MUTTER	ÉCROU
KB2797	SCREW	TORNILLO	SCHRAUBE	VIS
KB3061	PIN	PASADOR	STIFT	GOUPILLE
KB3120	SCREW	TORNILLO	SCHRAUBE	VIS
KB4259	SPRING	RESORTE	FEDER	RESSORT
KB4542	SPRING	RESORTE	FEDER	RESSORT
KB5004	SCREW	TORNILLO	SCHRAUBE	VIS
KB5005	SPRING	RESORTE	FEDER	RESSORT
KB5007	SCREW	TORNILLO	SCHRAUBE	VIS
KB5014	SPRING	RESORTE	FEDER	RESSORT
KB5052	SPRING	RESORTE	FEDER	RESSORT
KB5155	SCREW	TORNILLO	SCHRAUBE	VIS
KB5306	SPRING	RESORTE	FEDER	RESSORT
LB0011	SEAL	SELLO	DICHTUNG	JOINT
LB0014	SEAL	SELLO	DICHTUNG	JOINT
LB0015	SEAL	SELLO	DICHTUNG	JOINT
LB0017	SEAL	SELLO	DICHTUNG	JOINT
LB0033	SEAL	SELLO	DICHTUNG	JOINT
LB0051	SEAL	SELLO	DICHTUNG	JOINT
LB0083	SEAL	SELLO	DICHTUNG	JOINT
LB0298	SEAL	SELLO	DICHTUNG	JOINT
LB0870	SEAL	SELLO	DICHTUNG	JOINT
LB3224	SEAL	SELLO	DICHTUNG	JOINT
LB5005	SEAL	SELLO	DICHTUNG	JOINT