

SFT10XP FINE WIRE STAPLER

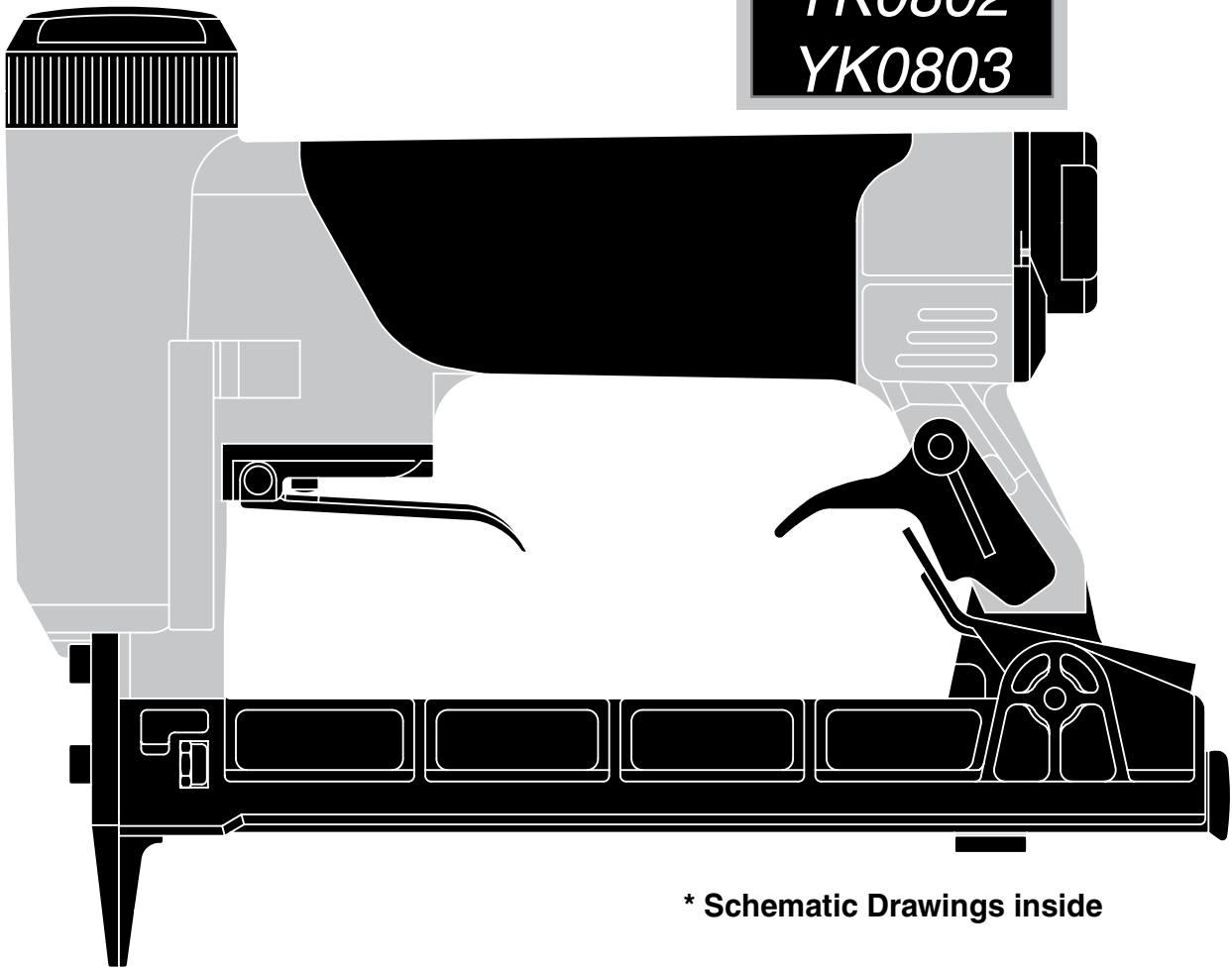


Parts Reference Guide

Repair Kits

YK0802

YK0803



* Schematic Drawings inside

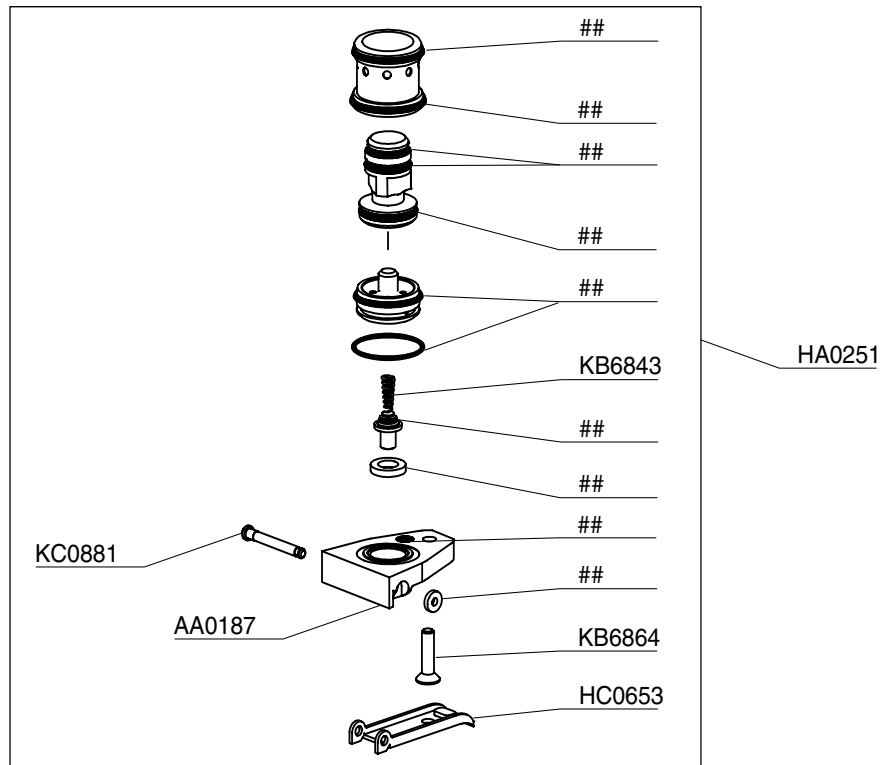
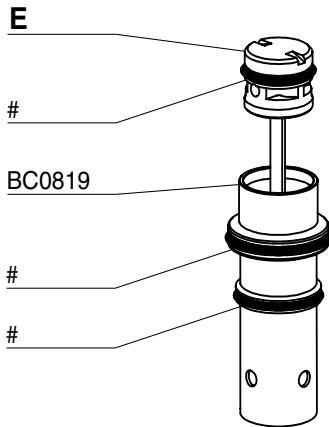
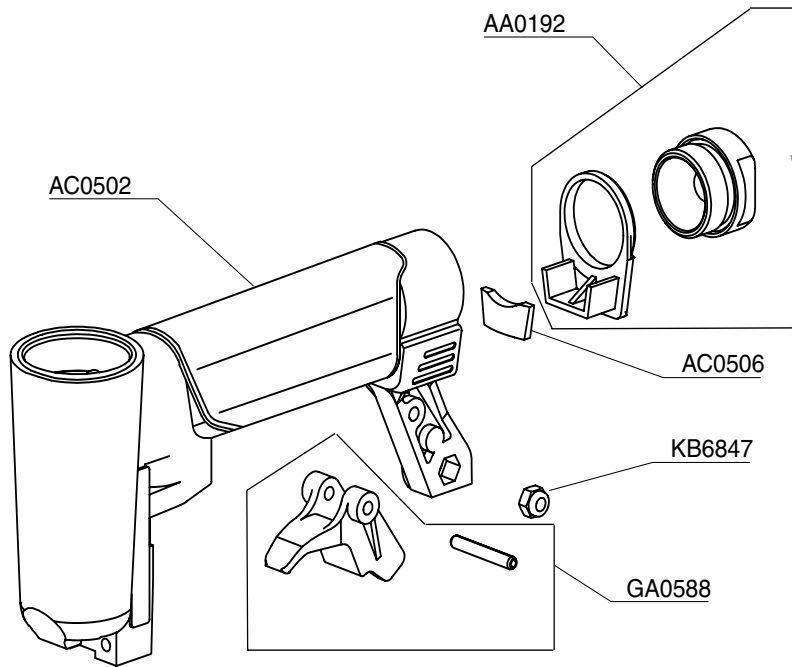
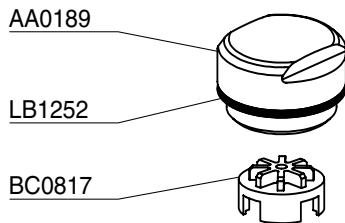
Senco Brands Inc.
4270 Ivy Pointe Blvd.
Cincinnati, Ohio 45245
Visit Our Website: www.senco.com
EU Website: www.verpa-senco.com

Questions? Comments? call SENCO's toll-free Action-line:
1-800-543-4596 (North & South America only)
or e-mail: toolprof@senco.com

SFT10XP Fine Wire Stapler

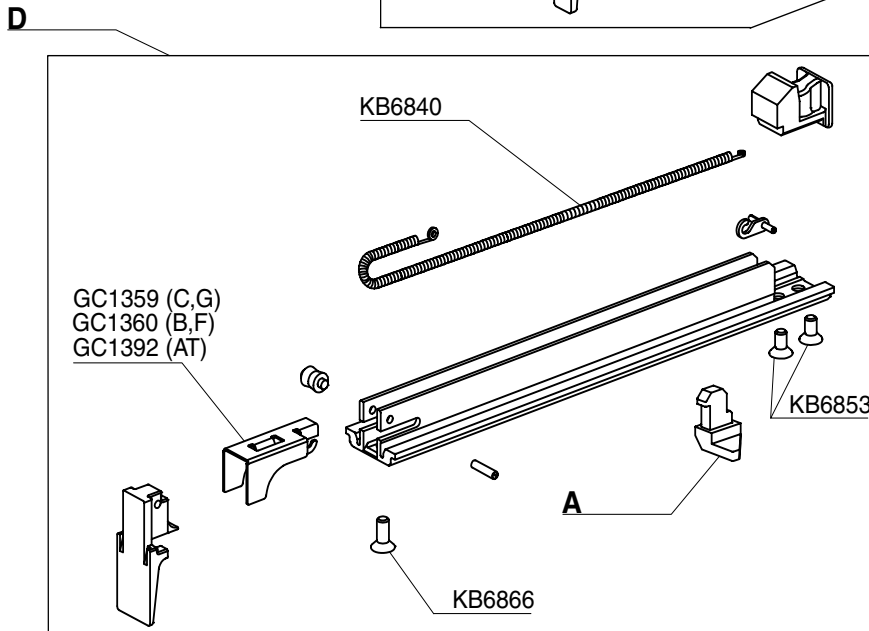
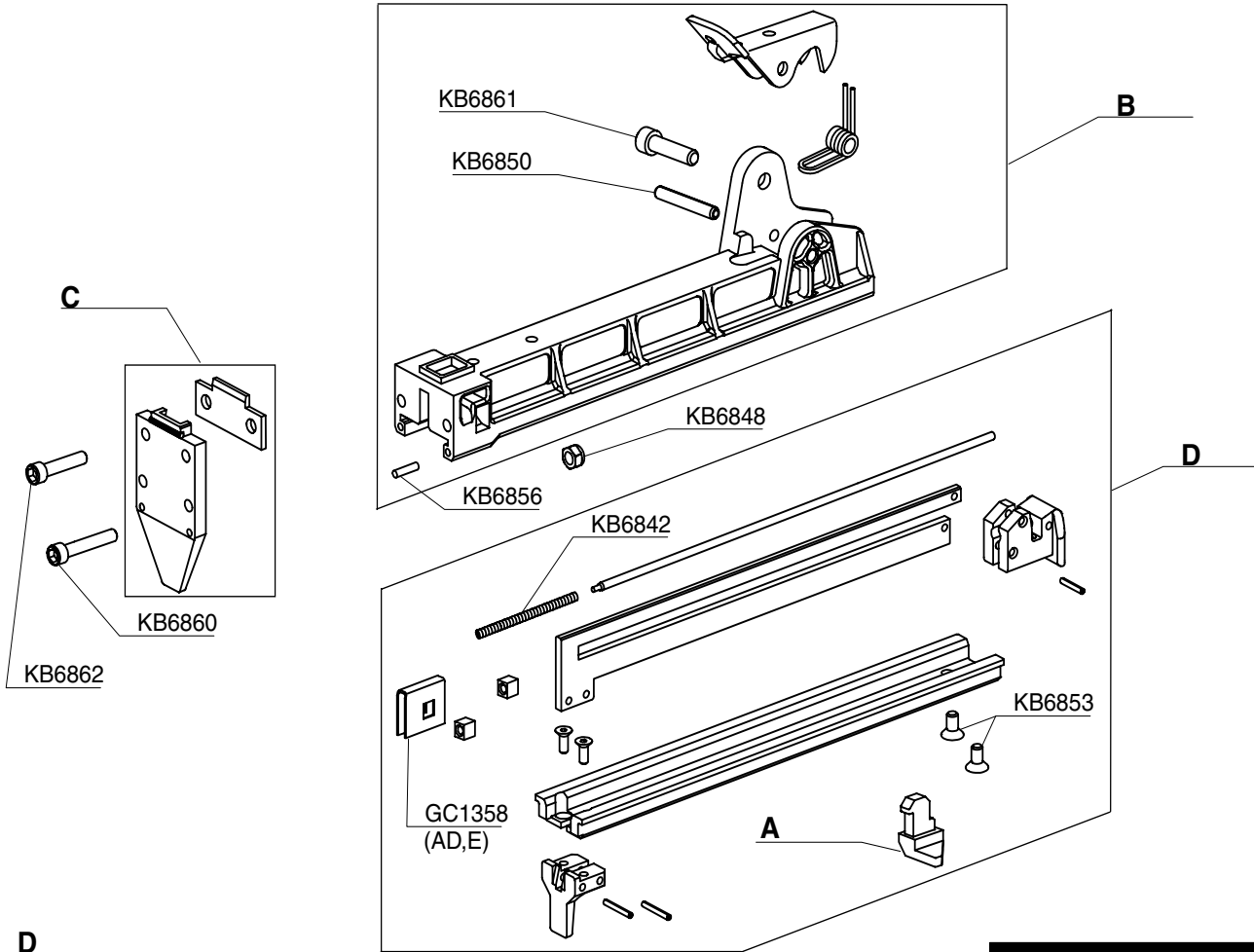
- * Does Not Include O-rings
- * No incluye sellos de gomas
- * Ohne Dichtringe
- * Joints exclus

Contents of YK0802 Kit
 ## Contents of YK0803 Kit



Tool #	
6S0001N A/D WIRE (US)	6S2001N A/D (EU)
6S0011N B WIRE (US)	6S2061N AT (EU)
6S0021N C WIRE (US)	6S2011N B (EU)
6S0031N E WIRE (US)	6S2021N C (EU)
6S0041N F WIRE (US)	6S2031N E (EU)
6S0051N G WIRE (US)	6S2041N F (EU)
	6S2051N G (EU)

SFT10XP Fine Wire Stapler

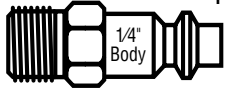


Model	A	B	C	D	E
A/D WIRE	GC1332	GA0581	FA0283	GA0590	EA0247
AT WIRE	GC1368	GA0584	FA0294	GA0596	EA0256
B WIRE	GC1368	GA0584	FA0286	GA0592	EA0245
C WIRE	GC1368	GA0580	FA0282	GA0589	EA0244
E WIRE	GC1332	GA0581	FA0289	GA0590	EA0250
F WIRE(US)	GC1368	GA0584	FA0288	GA0592	EA0248
F WIRE(EU)	GC1368	GA0584	FA0288	GA0592	EA0283
G WIRE	GC1368	GA0580	FA0292	GA0589	EA0251

Available Plugs

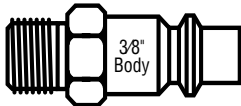
(Not Included with Tool)

PC0479 ✓



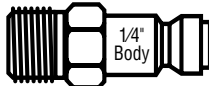
1/4" Body
Ind. Interchange 1/4" NPT

PC0486



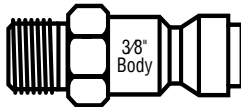
3/8" Body
Ind. Interchange 1/4" NPT

PC0468 ✓



1/4" Body
Tru-Flate 1/4" NPT

PC0474



3/8" Body
Tru-Flate 1/4" NPT

✓ **Recommended Plugs**
Plugs shown smaller than actual size

SFT10XP Fine Wire Stapler

REPLACEMENT PARTS LIST • LISTA DE PARTES DE REPUESTO • ERSATSTEILE-LISTE • LISTE DE PIÈCES DE RECHANGE

PART NO.	DESCRIPTION	DESCRIPCIÓN	BESCHREIBUNG	DÉSIGNATION
AA0187	TRIGGER PLATE ASY	GATILLO PLACA	AUSLÖSER PLATTE	GACHETTE PLAQUE
AA0189	CAP ASY	TAPA	KAPPE	BOUCHON
AA0192	CAP ASY	TAPA	KAPPE	BOUCHON
AC0502	MAINBODY	CARCASA	GEHÄUSE	CORPS
AC0506	MUFFLER	SILENCIADOR	DÄMPFER	SILENCIEUX
BC0817	VALVE	VÁLVULA	VENTIL	VALVE
BC0819	CYLINDER SLEEVE	CILINDRO	ZYLINDER	CYLINDRE
BC0820	BUMPER	AMORTIGUADOR	PUFFER	AMORTISSEUR
EA0244	PISTON DRIVER ASY (C)	PISTÓN/ACCIONADOR	KOLBEN/TREIBER	PISTON/MOTEUR
EA0245	PISTON DRIVER ASY (B)	PISTÓN/ACCIONADOR	KOLBEN/TREIBER	PISTON/MOTEUR
EA0247	PISTON DRIVER ASY (AD)	PISTÓN/ACCIONADOR	KOLBEN/TREIBER	PISTON/MOTEUR
EA0248	PISTON DRIVER ASY (F-US)	PISTÓN/ACCIONADOR	KOLBEN/TREIBER	PISTON/MOTEUR
EA0250	PISTON DRIVER ASY (E)	PISTÓN/ACCIONADOR	KOLBEN/TREIBER	PISTON/MOTEUR
EA0251	PISTON DRIVER ASY (G)	PISTÓN/ACCIONADOR	KOLBEN/TREIBER	PISTON/MOTEUR
EA0256	PISTON DRIVER ASY (AT)	PISTÓN/ACCIONADOR	KOLBEN/TREIBER	PISTON/MOTEUR
EA0283	PISTON DRIVER ASY (F-EU)	PISTÓN/ACCIONADOR	KOLBEN/TREIBER	PISTON/MOTEUR
FA0282	FRONT PLATE ASY (C)	PLACA	PLATTE	PLAQUE
FA0283	FRONT PLATE ASY (AD)	PLACA	PLATTE	PLAQUE
FA0286	FRONT PLATE ASY (B)	PLACA	PLATTE	PLAQUE
FA0288	FRONT PLATE ASY (F)	PLACA	PLATTE	PLAQUE
FA0289	FRONT PLATE ASY (E)	PLACA	PLATTE	PLAQUE
FA0292	FRONT PLATE ASY (G)	PLACA	PLATTE	PLAQUE
FA0294	FRONT PLATE ASY (AT)	PLACA	PLATTE	PLAQUE
GA0580	MAGAZINE ASY (C,G)	ASAMBLE DE CARGADOR	MAGAZIN-ZUSAMMENBAU	MAGASIN D'ASSEMBLÉE
GA0581	MAGAZINE ASY (AD,E)	ASAMBLE DE CARGADOR	MAGAZIN-ZUSAMMENBAU	MAGASIN D'ASSEMBLÉE
GA0584	MAGAZINE ASY (B,F,AT)	ASAMBLE DE CARGADOR	MAGAZIN-ZUSAMMENBAU	MAGASIN D'ASSEMBLÉE
GA0588	LATCH ASY	ASAMBLE DE CARGADOR	MAGAZIN-ZUSAMMENBAU	MAGASIN D'ASSEMBLÉE
GA0589	RAIL ASY (C,G)	ASAMBLE DE CARRIL	SCHIENE-ZUSAMMENBAU	RAIL D'ASSEMBLÉE
GA0590	RAIL ASY (AD,E)	ASAMBLE DE CARRIL	SCHIENE-ZUSAMMENBAU	RAIL D'ASSEMBLÉE
GA0592	RAIL ASY (B,F)	ASAMBLE DE CARRIL	SCHIENE-ZUSAMMENBAU	RAIL D'ASSEMBLÉE
GA0596	RAIL ASY (AT)	ASAMBLE DE CARRIL	SCHIENE-ZUSAMMENBAU	RAIL D'ASSEMBLÉE
GC1332	LATCH (AD,E)	UÑETA	VERSCHLUSS	DOIGT DE RETENUE
GC1358	FEEDER SHOE (AD,E)	ALIMENTADOR	NAGELSCHIEBER	POUSSOIR
GC1359	FEEDER SHOE (C,G)	ALIMENTADOR	NAGELSCHIEBER	POUSSOIR
GC1360	FEEDER SHOE (B,F)	ALIMENTADOR	NAGELSCHIEBER	POUSSOIR
GC1368	LATCH (B,C,FG,AT)	UÑETA	VERSCHLUSS	DOIGT DE RETENUE
GC1392	FEEDER SHOE (AT)	ALIMENTADOR	NAGELSCHIEBER	POUSSOIR
HA0251	TRIGGERING ASY	ASAMBLE DE GATILLO	AUSLÖSER-ZUSAMMENBAU	GACHETTE D'ASSEMBLÉE
HC0653	TRIGGER	GATILLO	AUSLÖSER	GÁCHETTE
KB6840	SPRING	RESORTE	FEDER	RESSORT
KB6842	SPRING	RESORTE	FEDER	RESSORT
KB6843	SPRING	RESORTE	FEDER	RESSORT
KB6847	NUT	TUERCA	MUTTER	ÉCROU
KB6848	NUT	TUERCA	MUTTER	ÉCROU
KB6850	PIN	PASADOR	STIFT	GOUPILLE
KB6853	SCREW	TORNILLO	SCHRAUBE	VIS
KB6856	PIN	PASADOR	STIFT	GOUPILLE
KB6860	SCREW	TORNILLO	SCHRAUBE	VIS
KB6861	SCREW	TORNILLO	SCHRAUBE	VIS
KB6862	SCREW	TORNILLO	SCHRAUBE	VIS
KB6864	SCREW	TORNILLO	SCHRAUBE	VIS
KB6866	SCREW	TORNILLO	SCHRAUBE	VIS
KC0881	PIN	PASADOR	STIFT	GOUPILLE
LB1252	O-RING	SELLO	DICHTUNG	JOINT