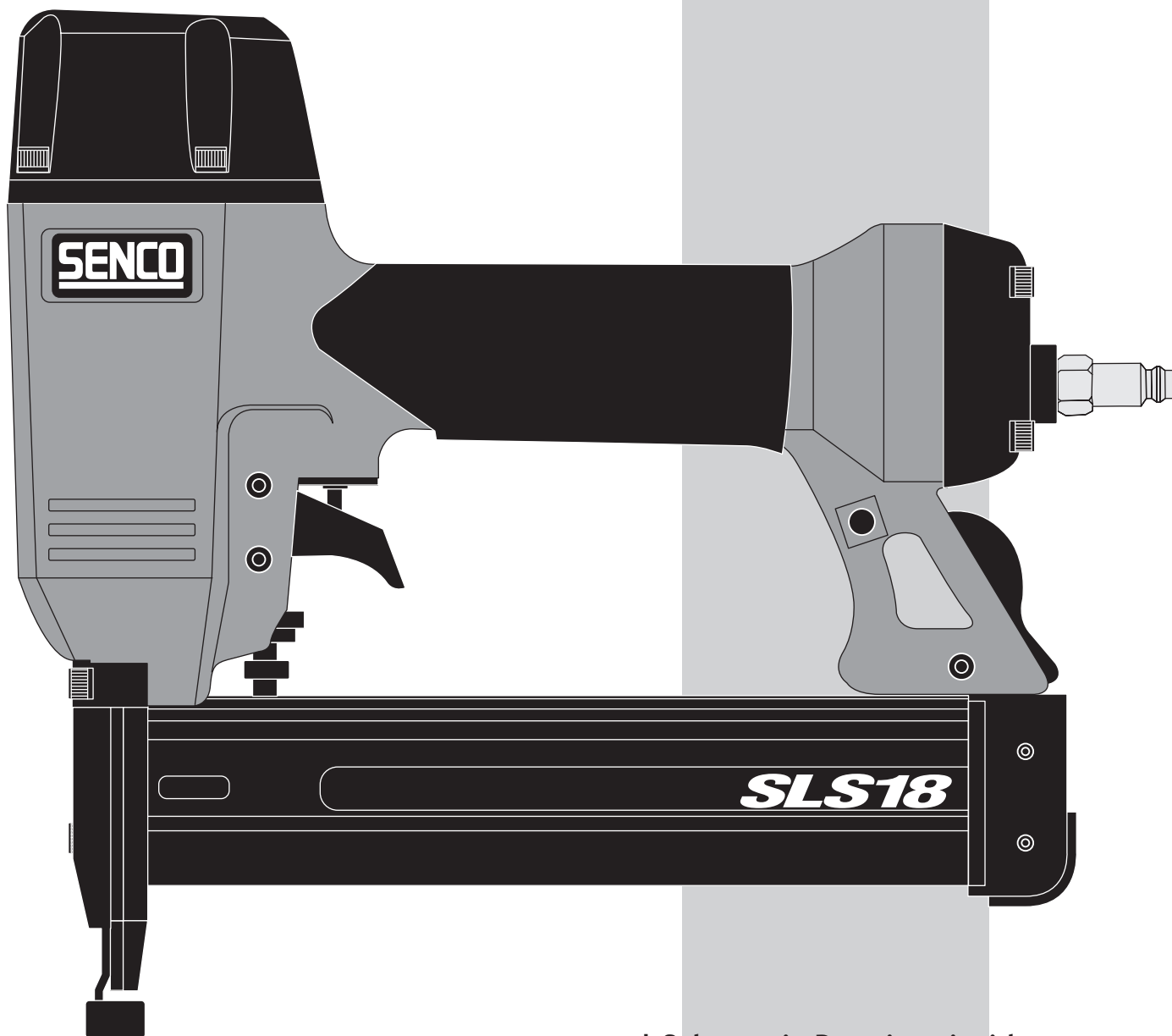




SLS18 18 ga. **Finish Stapler**



Parts Reference Guide

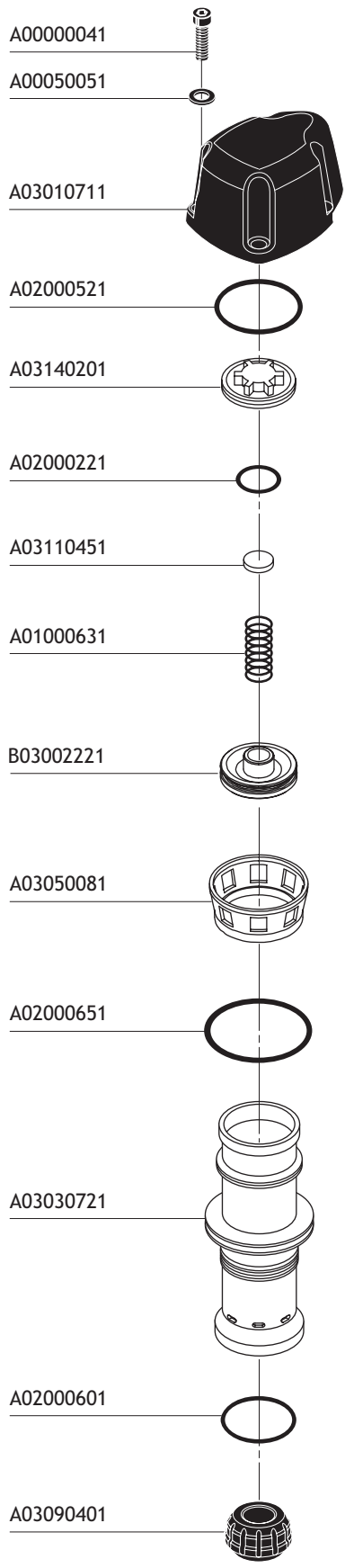


* Schematic Drawings inside

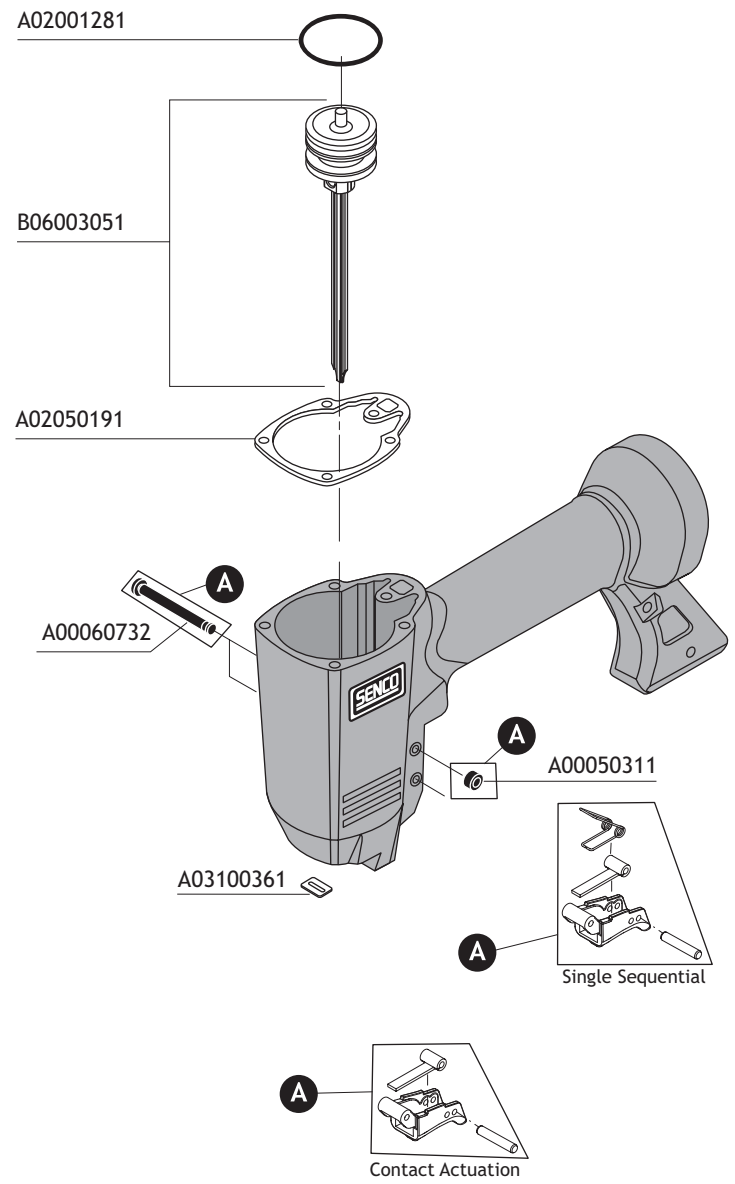
Senco Products Inc.
8485 Broadwell Road
Cincinnati, Ohio 45244

Questions? Comments? call SENC0's toll-free Action-line:
1-800-543-4596 (North and South America Only)
or e-mail: toolprof@senco.com

Visit Our Website: www.senco.com

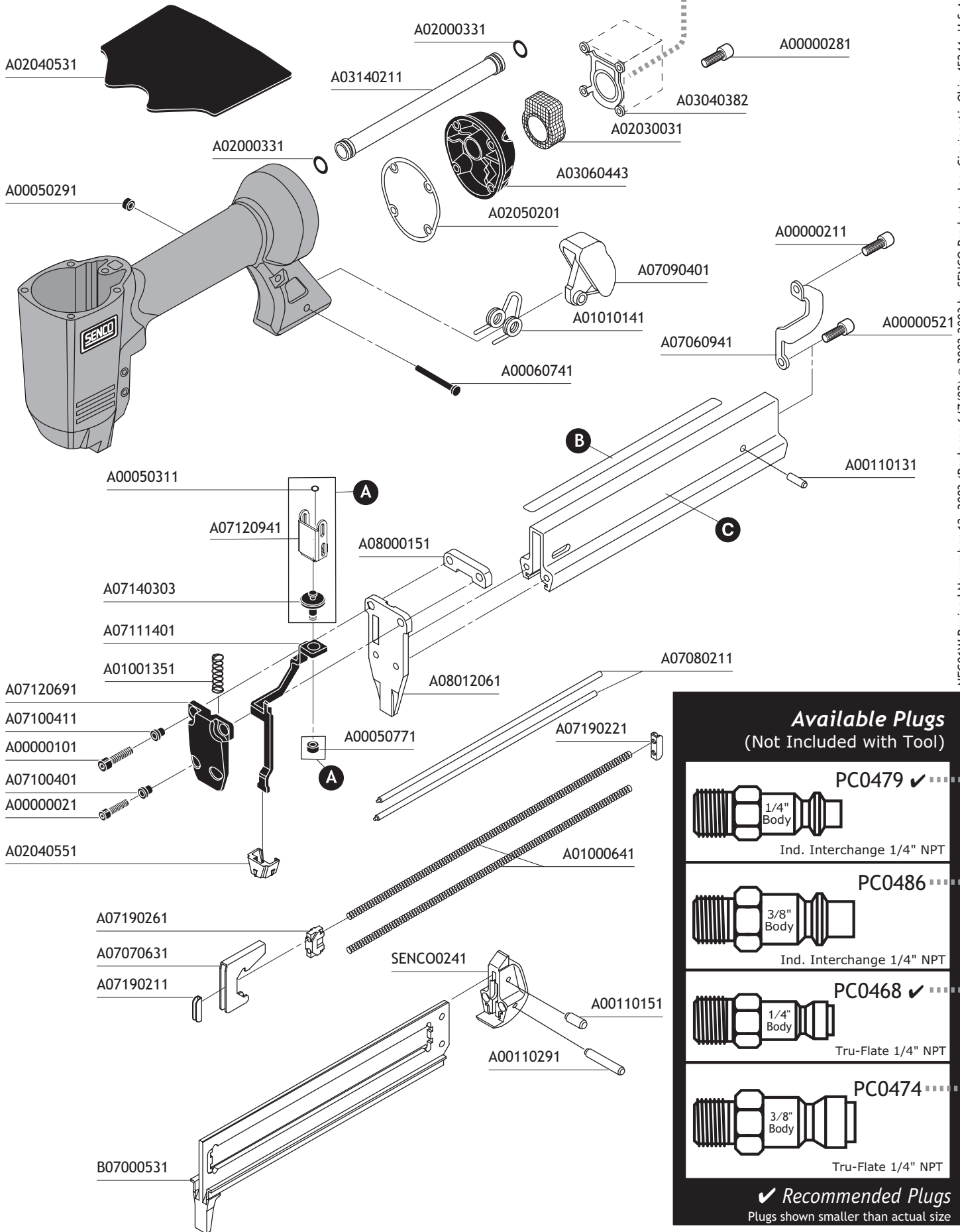


Tool #	Model
1W0002N	Single-Sequential / Case
1W1001N	Single-Sequential (Japan)
1W2001N	Single-Sequential (Euro)
1W2002N	Contact Actuation (Euro)
1W3001N	Single-Sequential (AU) / Case
1W3002N	Contact Actuation (AU) / Case




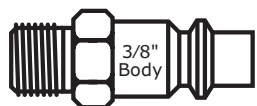

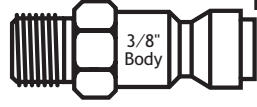
Tool #	Model	A	B	C
1W0002N	Single-Sequential (US)	SENCO1101	A09230171	SENCO0301
1W1001N	Single-Sequential (Japan)	SENCO1101	A09230251	SENCO0381
1W2001N	Single-Sequential (Euro)	SENCO1101	A09230311	SENCO0341
1W2002N	Contact Actuation (Euro)	SENCO1111	A09230311	SENCO0341
1W3001N	Single-Sequential (AU)	SENCO1101	A09230171	SENCO0301
1W3002N	Contact Actuation (AU)	SENCO1111	A09230171	SENCO0301

SLS18



NFG01W Revised November 12, 2003 (Replaces 6/7/02) © 2002, 2003 by SENC0 Products, Inc. Cincinnati, Ohio 45244—U.S.A.

Available Plugs (Not Included with Tool)

	PC0479 ✓
1/4" Body	
Ind. Interchange 1/4" NPT	
	PC0486
3/8" Body	
Ind. Interchange 1/4" NPT	
	PC0468 ✓
1/4" Body	
Tru-Flate 1/4" NPT	
	PC0474
3/8" Body	
Tru-Flate 1/4" NPT	

✓ **Recommended Plugs**
Plugs shown smaller than actual size

SLS18 18 ga. Finish Stapler

REPLACEMENT PARTS LIST • LISTA DE PARTES DE REPUESTO • ERSATZTEILE-LISTE • LISTE DE PIÈCES DE RECHANGE

PART NO.	DESCRIPTION	DESCRIPCIÓN	BESCHREIBUNG	DÉSIGNATION
A00000021	SCREW	TORNILLO	SCHRAUBE	VIS
A00000041	SCREW	TORNILLO	SCHRAUBE	VIS
A00000211	SCREW	TORNILLO	SCHRAUBE	VIS
A00000281	SCREW	TORNILLO	SCHRAUBE	VIS
A00000521	SCREW	TORNILLO	SCHRAUBE	VIS
A00050051	WASHER	ARANDELA	SCHEIBE	RONDELLE
A00050291	RETAINER	JUNTA TÓRICA	SICHERUNGSRING	RETENUE
A00050311	RETAINER	JUNTA TÓRICA	SICHERUNGSRING	RETENUE
A00050771	SHAFT RING	ANILLO	REIFEN	ANNEAU
A00060732	PIN	PASADOR	STIFT	GOUPILLE
A00060741	PIN	PASADOR	STIFT	GOUPILLE
A00110131	PIN	PASADOR	STIFT	GOUPILLE
A00110151	PIN	PASADOR	STIFT	GOUPILLE
A00110291	PIN	PASADOR	STIFT	GOUPILLE
A01000631	SPRING	RESORTE	FEDER	RESSORT
A01000641	SPRING	RESORTE	FEDER	RESSORT
A01001351	SPRING	RESORTE	FEDER	RESSORT
A01010141	SPRING	RESORTE	FEDER	RESSORT
A02000221	SEAL	SELLO	DICHTUNG	JOINT
A02000331	SEAL	SELLO	DICHTUNG	JOINT
A02000521	SEAL	SELLO	DICHTUNG	JOINT
A02000601	SEAL	SELLO	DICHTUNG	JOINT
A02000651	SEAL	SELLO	DICHTUNG	JOINT
A02001281	SEAL	SELLO	DICHTUNG	JOINT
A02030031	MUFFLER	SILENCIADOR	DÄMPFER	SILENCIEUX
A02040531	HANDLE GRIP	AGARRADERO	GRIFF	GAINÉ EN CUIR
A02040551	NO-MAR PAD	AMORTIGUADOR	SCHUTZ	COUSSIN
A02050191	SEAL	SELLO	DICHTUNG	JOINT
A02050201	SEAL	SELLO	DICHTUNG	JOINT
A03010711	CYLINDER CAP	TAPA	KAPPE	BOUCHON
A03030721	CYLINDER	CILINDRO	ZYLINDER	CYLINDRE
A03040382	COVER	CUBIERTA	ABDECKUNG	COUVERCLE
A03050081	RETAINER	JUNTA TÓRICA	SICHERUNGSRING	RETENUE
A03060443	COVER	CUBIERTA	ABDECKUNG	COUVERCLE
A03090401	BUMPER	AMORTIGUADOR	PUFFER	AMORTISSEUR
A03100361	WASHER	ARANDELA	SCHEIBE	RONDELLE
A03110451	SEAL	SELLO	DICHTUNG	JOINT
A03140201	EXHAUST VALVE SITE	ASAMBLE DE VÁLVULA	VENTIL-ZUSAMMENBAU	VALVE D'ASSEMBLÉE
A03140211	TUBE	TUBO	ROHR	TUBE
A07070631	FEEDER SHOE	ALIMENTADOR	NAGELSCHIEBER	POUSSOIR
A07060941	MAGAZINE SUPPORT	SOPORTE	HALTERUNG	CAVALIER
A07080211	GUIDE	GUÍA	FÜHRUNG	GUIDE
A07090401	LATCH	UNETA	VERSCHLUSS	DOIGT DE RETENUE
A07100401	INSERT	ACOPLAMIENTO	EINSATZ	INSERT
A07100411	INSERT	ACOPLAMIENTO	EINSATZ	INSERT
A07111401	SAFETY ELEMENT	ASAMBLE DE SEGURO	SICHERHEITSVORRICHTUNG	PALPEUR DE SÉCURITÉ
A07120662	PLATE	PLACA	PLATTE	PLAQUE
A07120691	PLATE	PLACA	PLATTE	PLAQUE
A07140303	SAFETY ADJUSTMENT WHEEL	MANIVELA	RÄNDELSCHRAUBE	MOLETTE
A07190211	STOP	TOPE	PUFFER	ARRÊT
A07190221	RETAINER	JUNTA TÓRICA	SICHERUNGSRING	RETENUE
A07190261	RETAINER	JUNTA TÓRICA	SICHERUNGSRING	RETENUE
A08000151	INSERT	ACOPLAMIENTO	EINSATZ	INSERT
A08012061	GUIDE	GUÍA	FÜHRUNG	GUIDE
A09230171	LABEL (US)	ETIQUETA	AUFKLEBER	ÉTIQUETTE
A09230251	LABEL (JAPAN)	ETIQUETA	AUFKLEBER	ÉTIQUETTE
A09230311	LABEL (EU)	ETIQUETA	AUFKLEBER	ÉTIQUETTE
B03002221	PISTON ASSEMBLY	ASAMBLE DE PISTON	KOLBEN-ZUSAMMENBAU	ENSEMBLE PISTON-COUTEAU
B06003051	PISTON ASSEMBLY	ASAMBLE DE PISTON	KOLBEN-ZUSAMMENBAU	ENSEMBLE PISTON-COUTEAU
B07000531	MAGAZINE ASSEMBLY	ASAMBLE DE CARGADOR	MAGAZIN-ZUSAMMENBAU	ENSEMBLE MAGASIN
SENCO0241	COVER	CUBIERTA	ABDECKUNG	COUVERCLE
SENCO0301	MAGAZINE ASSEMBLY (US)	ASAMBLE DE CARGADOR	MAGAZIN-ZUSAMMENBAU	ENSEMBLE MAGASIN
SENCO0341	MAGAZINE ASSEMBLY (EU)	ASAMBLE DE CARGADOR	MAGAZIN-ZUSAMMENBAU	ENSEMBLE MAGASIN
SENCO0381	MAGAZINE ASSEMBLY (EU)	ASAMBLE DE CARGADOR	MAGAZIN-ZUSAMMENBAU	ENSEMBLE MAGASIN
SENCO0711	TRIGGER VALVE HEAD SET	ASAMBLE DE VÁLVULA	VENTIL-ZUSAMMENBAU	VALVE D'ASSEMBLÉE
SENCO1101	TRIGGER ASSY (Single Sequential)	ASAMBLE DE GATILLO	AUSLÖSER	ENSEMBLE GÂCHETTE
SENCO1111	TRIGGER ASSY (CONTACT)	ASAMBLE DE GATILLO	AUSLÖSER	ENSEMBLE GÂCHETTE