

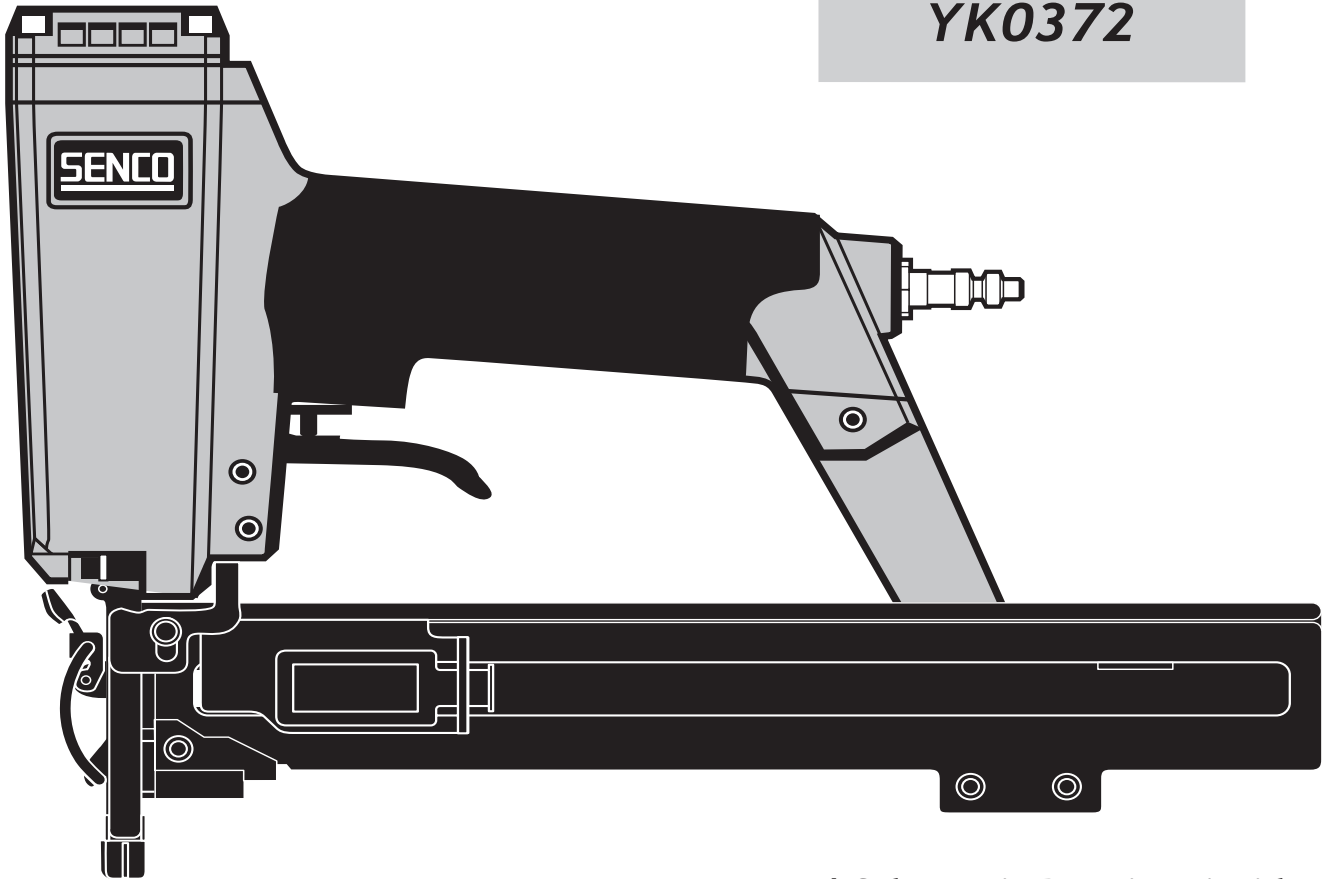
SLS20



Parts Reference Guide



Repair Kit
YK0372



* Schematic Drawings inside

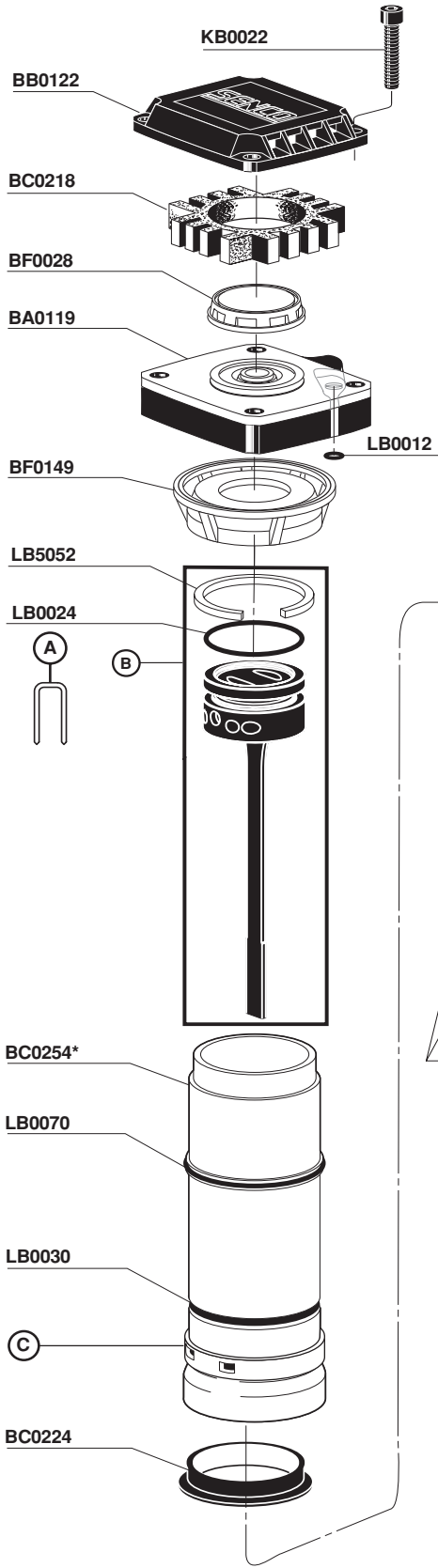
NFG049 Revised November 7, 2003 (Replaces 8/29/02) ©1995, 2003 by SENC0 Products, Inc. Cincinnati, Ohio 45244-U.S.A.

Senco Products, Inc.
8485 Broadwell Rd.
Cincinnati, OH 45244

Visit our Website: www.senco.com

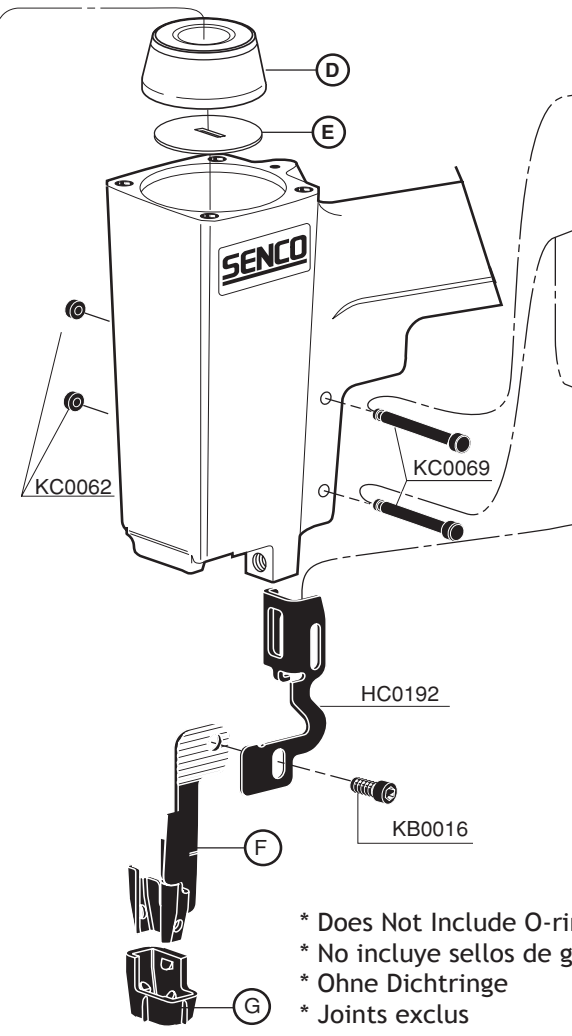
Questions? Comments? call SENC0's toll-free Action-line:
1-800-543-4596 (North & South America only)
or e-mail: toolprof@senco.com

SSA - Single Sequential Actuation
CA - Contact Actuation



US Model	Euro	A	B	C	D	E	F	G	H	I	J
490001N SSA	492001N CA	K06-K14	EA0076		BB0175	BF0210	HB0232	HF0028	FC0363	FC0250	GC0599
	492002N SSA	K06-K14	EA0076		BB0175	BF0210	HB0232	HF0028	FC0363	FC0250	GC0599
490003N SSA	492003N CA	L06-L17	EA0077		BB0175	BF0210	HB0232	HF0028	FC0359	FC0233	GC0566
	492004N SSA	L06-L17	EA0077		BB0175	BF0210	HB0232	HF0028	FC0359	FC0233	GC0566
490005N SSA	492005N CA	L06-L17	EA0077	-	BB0175	BF0210	HB0232	HF0028	FC0359	FC0233	GC0566
	492006N SSA	L06-L17	EA0077	-	BB0175	BF0210	HB0232	HF0028	FC0359	FC0233	GC0566
490007N SSA	492007N CA	M06-M17	EA0078	-	BB0176	BF0211	HB0233	HF0029	FC0359	FC0251	GC0566
	492008N SSA	M06-M17	EA0077	-	BB0176	BF0211	HB0233	HF0029	FC0359	FC0251	GC0566
490011N SSA	492011N CA	R06-R13	EA0108 1/8"CSK	BF0129	BB0175	BF0210	HB0232	HF0028	FC0363	FC0349	GC0599
	492012N SSA	R06-R13	EA0108 1/8"CSK	BF0129	BB0175	BF0210	HB0232	HF0028	FC0363	FC0349	GC0599
			EA0109 3/16"CSK	-	BB0175	BF0210	HB0232	HF0028	FC0363	FC0349	GC0599
490013N SSA	492013N CA	M06-M17	EA0078		BB0176	BF0211	HB0233	HF0029	FC0359	FC0251	GC0566
	492014N SSA	M06-M17	EA0078		BB0176	BF0211	HB0233	HF0029	FC0359	FC0251	GC0566
490017N SSA	492017N CA	K06-K14	EA0076		BB0175	BF0210	HB0232	HF0028	FC0363	FC0250	GC0566
	492018N SSA	K06-K14	EA0076		BB0175	BF0210	HB0232	HF0028	FC0363	FC0250	GC0566

US Model	Euro	A	K	L	M	N	O	P	Q
490001N SSA	492001N Contact Actuation	K06-K14	GC0564	FA0164	-	GC0568	KB0017	GC0578	-
	492002N Single Sequential Actuation	K06-K14	GC0564	FA0164	-	GC0568	KB0017	GC0578	-
490003N SSA	492003N Contact Actuation	L06-L17	GC0564	FA0161	-	GC0568	KB0017	GC0565	-
	492004N Single Sequential Actuation	L06-L17	GC0564	FA0161	-	GC0568	KB0017	GC0565	-
490005N SSA	492005N Contact Actuation	L06-L17	GC0564	FA0161	-	GC0568	KB0017	GC0565	-
	492006N Single Sequential Actuation w/Case	L06-L17	GC0564	FA0161	-	GC0568	KB0017	GC0565	-
490007N SSA	492007N Contact Actuation	M06-M17	GC0581	GC0572	FC0283	GC0586	KB3265	GC0579	GC0619
	492008N Single Sequential Actuation	M06-M17	GC0581	GC0572	FC0283	GC0586	KB3265	GC0579	GC0619
490011N SSA	492011N Contact Actuation	R06-R13	GC0564	FA0163	-	GC0568	KB0017	GC0594	-
	492012N Single Sequential Actuation	R06-R13	GC0564	FA0163	-	GC0568	KB0017	GC0594	-
490013N SSA	492013N Contact Actuation w/Case	M06-M17	GC0581	GC0572	FC0283	GC0586	KB3265	GC0579	GC0619
	492014N Single Sequential Actuation w/Case	M06-M17	GC0581	GC0572	FC0283	GC0586	KB3265	GC0579	GC0619
490017N SSA	492017N Contact Actuation w/Case	K06-K14	GC0564	FA0164	-	GC0568	KB0017	GC0578	-
	492018N Single Sequential Actuation w/Case	K06-K14	GC0564	FA0164	-	GC0568	KB0017	GC0578	-



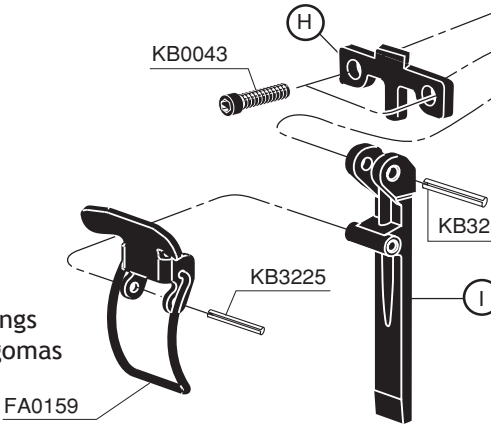
Available Triggers

HA0087

Contact Actuation

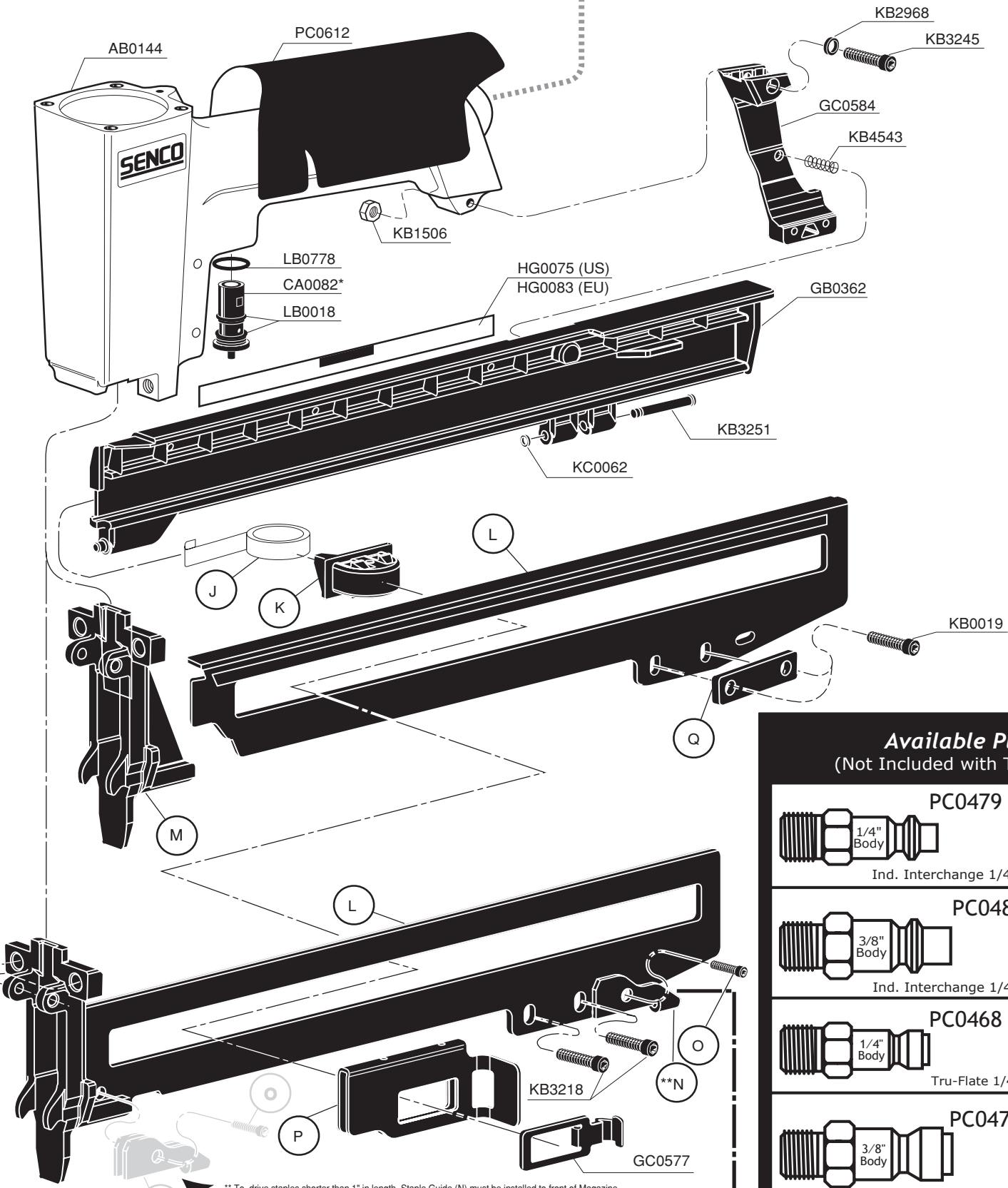
HA0086

Single Sequential Actuation



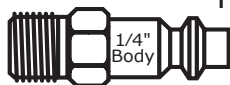
* Does Not Include O-rings
 * No incluye sellos de gomas
 * Ohne Dichtringe
 * Joints exclus


SLS20




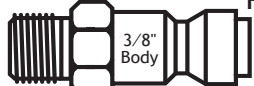
NFG049 Revised November 7, 2003 (Replaces 8/29/02) ©1995, 2003 by SENCO Products, Inc. Cincinnati, Ohio 45244-U.S.A.

Available Plugs (Not Included with Tool)

PC0479 ✓

 1/4" Body
 Ind. Interchange 1/4" NPT

PC0486

 3/8" Body
 Ind. Interchange 1/4" NPT

PC0468 ✓

 1/4" Body
 Tru-Flate 1/4" NPT

PC0474

 3/8" Body
 Tru-Flate 1/4" NPT

✓ **Recommended Plugs**
 Plugs shown smaller than actual size

** To drive staples shorter than 1" in length, Staple Guide (N) must be installed to front of Magazine.
 ** Para lanzar grapas mas cortas que 1" de largo, la Guia de Grapas (N) debe ser instalada al frente del cargador.
 ** Wenn Befestiger, die kürzer als 25 mm sind, eingetrieben werden sollen, muß der Adapter "N" vorne in das Magazin eingebaut werden.
 ** Pour le passage d'agrafes plus courtes que 25 mm (<1"), le guide agrafes (ou insert de magasin) doit être installé sur la partie avant du magasin.

PART NO.	DESCRIPTION	DESCRIPCIÓN	BESCHREIBUNG	DÉSIGNATION
AB0144	MAIN BODY ASSY	ASAMBLE DE CARCASA	GEHÄUSE-ZUSAMMENBAU	CORPS D'ASSEMBLÉE
BA0119	VALVE ASSY	ASAMBLE DE VÁLVULA	VENTIL-ZUSAMMENBAU	VALVE D'ASSEMBLÉE
BB0122	DEFLECTOR	DESVIADOR	ABWEISER	DÉFLECTEUR
BB0175	STOP	TOPE	PUFFER	ARRÊT
BB0176	STOP	TOPE	PUFFER	ARRÊT
BC0218	MUFFLER	SILENCIADOR	DÄMPFER	SILENCIEUX
BC0224	INSERT	ACOPLAMIENTO	EINSATZ	INSERT
BC0254	CYLINDER	CILINDRO	ZYLINDER	CYLINDRE
BF0028	SEAL	SELLO	DICHTUNG	JOINT
BF0129	RING	ANILLO	REIFEN	ANNEAU
BF0149	RETAINER	JUNTA TÓRICA	SICHERUNGSRING	RETENUE
BF0210	SEAL	SELLO	DICHTUNG	JOINT
BF0211	SEAL	SELLO	DICHTUNG	JOINT
CA0082	VALVE ASSY	ASAMBLE DE VÁLVULA	VENTIL-ZUSAMMENBAU	VALVE D'ASSEMBLÉE
EA0076	PISTON ASSY	ASAMBLE DE PISTON	KOLBEN-ZUSAMMENBAU	PISTON D'ASSEMBLÉE
EA0077	PISTON ASSY	ASAMBLE DE PISTON	KOLBEN-ZUSAMMENBAU	PISTON D'ASSEMBLÉE
EA0078	PISTON ASSY	ASAMBLE DE PISTON	KOLBEN-ZUSAMMENBAU	PISTON D'ASSEMBLÉE
EA0108	PISTON ASSY	ASAMBLE DE PISTON	KOLBEN-ZUSAMMENBAU	PISTON D'ASSEMBLÉE
EA0109	PISTON ASSY	ASAMBLE DE PISTON	KOLBEN-ZUSAMMENBAU	PISTON D'ASSEMBLÉE
FA0159	LATCH	UÑETA	VERSCHLUSS	DOIGT DE RETENUE
FA0161	RAIL ASSY	ASAMBLE DE CARRIL	SCHIENE-ZUSAMMENBAU	RAIL D'ASSEMBLÉE
FA0163	RAIL ASSY	ASAMBLE DE CARRIL	SCHIENE-ZUSAMMENBAU	RAIL D'ASSEMBLÉE
FA0164	RAIL ASSY	ASAMBLE DE CARRIL	SCHIENE-ZUSAMMENBAU	RAIL D'ASSEMBLÉE
FC0233	DOOR	PUERTA	ABDECKSCHIEBER	PORTE
FC0250	DOOR	PUERTA	ABDECKSCHIEBER	PORTE
FC0251	DOOR	PUERTA	ABDECKSCHIEBER	PORTE
FC0283	PLATE	PLACA	PLATTE	PLAQUE
FC0349	DOOR	PUERTA	ABDECKSCHIEBER	PORTE
FC0359	PLATE	PLACA	PLATTE	PLAQUE
FC0363	PLATE	PLACA	PLATTE	PLAQUE
GB0362	DOOR	PUERTA	ABDECKSCHIEBER	PORTE
GC0564	COVER	CUBIERTA	ABDECKUNG	COUVERCLE
GC0565	FEEDER SHOE	ALIMENTADOR	NAGELSCHIEBER	POUSSOIR
GC0566	SPRING	MUELLE	FEDER	RESSORT
GC0568	GUIDE	GUÍA	FÜHRUNG	GUIDE
GC0572	RAIL	CARRIL	SCHIENE	RAIL
GC0577	LATCH	UÑETA	VERSCHLUSS	DOIGT DE RETENUE
GC0579	FEEDER SHOE	ALIMENTADOR	NAGELSCHIEBER	POUSSOIR
GC0581	COVER	CUBIERTA	ABDECKUNG	COUVERCLE
GC0584	SUPPORT	SOPORTE	TRAGER	SUPPORT
GC0586	GUIDE	GUÍA	FÜHRUNG	GUIDE
GC0594	FEEDER SHOE	ALIMENTADOR	NAGELSCHIEBER	POUSSOIR
GC0599	SPRING	MUELLE	FEDER	RESSORT
GC0619	PLATE	PLACA	PLATTE	PLAQUE
HA0086	TRIGGER ASSY	ASAMBLE DE GATILLO	AUSLÖSER-ZUSAMMENBAU	GACHETTED'ASSEMBLÉE
HA0087	TRIGGER ASSY	ASAMBLE DE GATILLO	AUSLÖSER-ZUSAMMENBAU	GACHETTED'ASSEMBLÉE
HB0232	SAFETY ELEMENT	SEGURO	SICHERHEITSVORRICHTUNG	PALPEUR DE SÉCURITÉ
HB0233	SAFETY ELEMENT	SEGURO	SICHERHEITSVORRICHTUNG	PALPEUR DE SÉCURITÉ
HC0050	TRIGGER	GATILLO	AUSLÖSER	GACHETTE
HC0053	TRIGGER	GATILLO	AUSLÖSER	GACHETTE
HC0192	SAFETY ELEMENT	SEGURO	SICHERHEITSVORRICHTUNG	PALPEUR DE SÉCURITÉ
HC0193	GUIDE	GUÍA	FÜHRUNG	GUIDE
HC0217	GUIDE	GUÍA	FÜHRUNG	GUIDE
HF0024	TRIGGER	GATILLO	AUSLÖSER	GACHETTE
HF0028	CUSHION	AMORTIGUADOR	SCHUTZ	COUSSIN
HF0029	CUSHION	AMORTIGUADOR	SCHUTZ	COUSSIN
HF0099	TRIGGER	GATILLO	AUSLÖSER	GACHETTE
HG0075	LABEL (US)	ETIQUETA	AUFKLEBER	ETIQUETTE
HG0083	LABEL (EURO)	ETIQUETA	AUFKLEBER	ETIQUETTE
KB0016	SCREW	TORNILLO	SCHRAUBE	VIS
KB0017	SCREW	TORNILLO	SCHRAUBE	VIS
KB0019	SCREW	TORNILLO	SCHRAUBE	VIS
KB0022	SCREW	TORNILLO	SCHRAUBE	VIS
KB0043	SCREW	TORNILLO	SCHRAUBE	VIS
KB1506	NUT	TUERCA	MUTTER	ÉCROU
KB1555	PIN	PASADOR	STIFT	GOUPILLE
KB2968	WASHER	ARANDELA	SCHEIBE	RONDELLE
KB3225	PIN	PASADOR	STIFT	GOUPILLE
KB3239	PIN	PASADOR	STIFT	GOUPILLE
KB3245	SCREW	TORNILLO	SCHRAUBE	VIS
KB3251	RETAINER	JUNTA TÓRICA	SICHERUNGSRING	RETENUE
KB3265	SCREW	TORNILLO	SCHRAUBE	VIS
KB4130	SPRING	MUELLE	FEDER	RESSORT
KB4131	SPRING	MUELLE	FEDER	RESSORT
KB4211	SPRING	MUELLE	FEDER	RESSORT
KB4543	SPRING	MUELLE	FEDER	RESSORT
KC0062	RETAINER	JUNTA TÓRICA	SICHERUNGSRING	RETENUE
KC0069	PIN	PASADOR	STIFT	GOUPILLE
LB0012	SEAL	SELLO	DICHTUNG	JOINT
LB0018	SEAL	SELLO	DICHTUNG	JOINT
LB0024	SEAL	SELLO	DICHTUNG	JOINT
LB0030	SEAL	SELLO	DICHTUNG	JOINT
LB0070	SEAL	SELLO	DICHTUNG	JOINT
LB0778	SEAL	SELLO	DICHTUNG	JOINT
LB5052	SEAL	SELLO	DICHTUNG	JOINT
PC0612	GRIP	AGARRADERO	GRIFF	GAINE DE CUIR