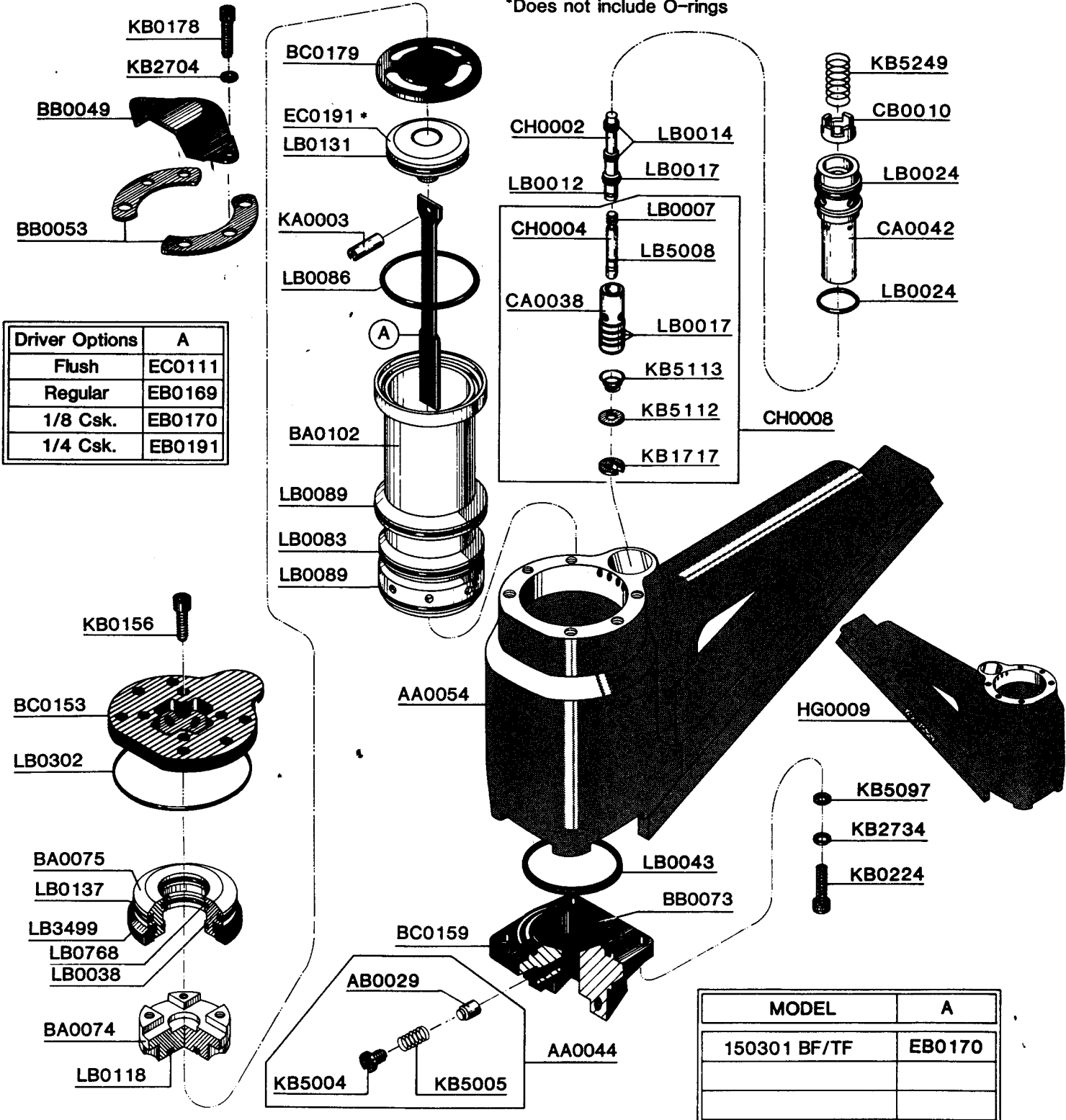


# SENCO®

FASTENING SYSTEMS

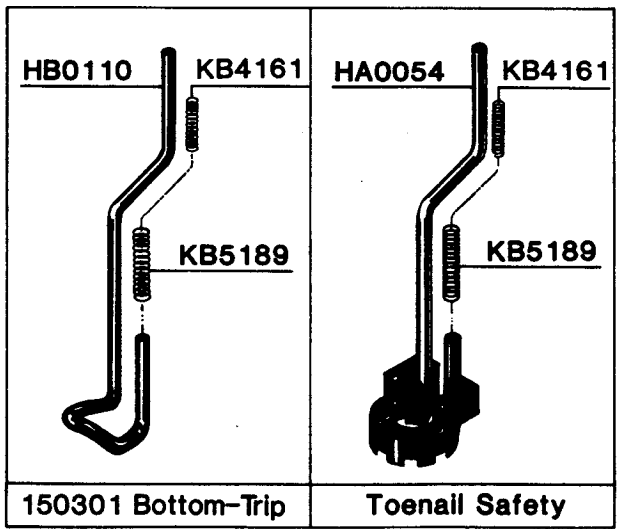
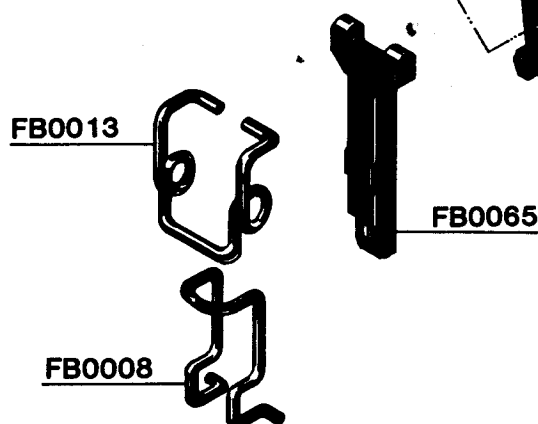
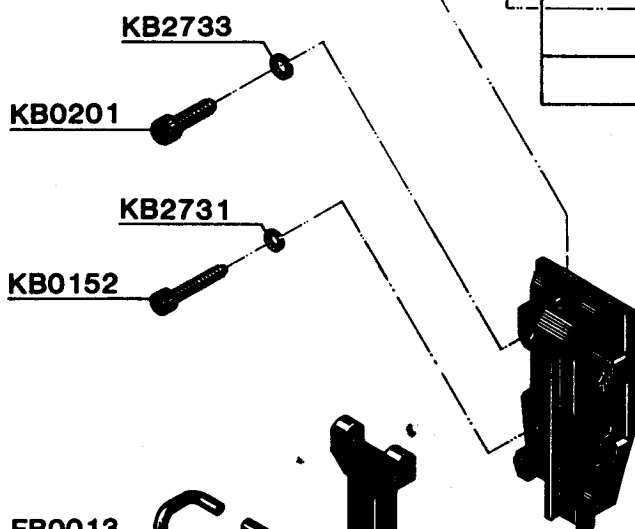
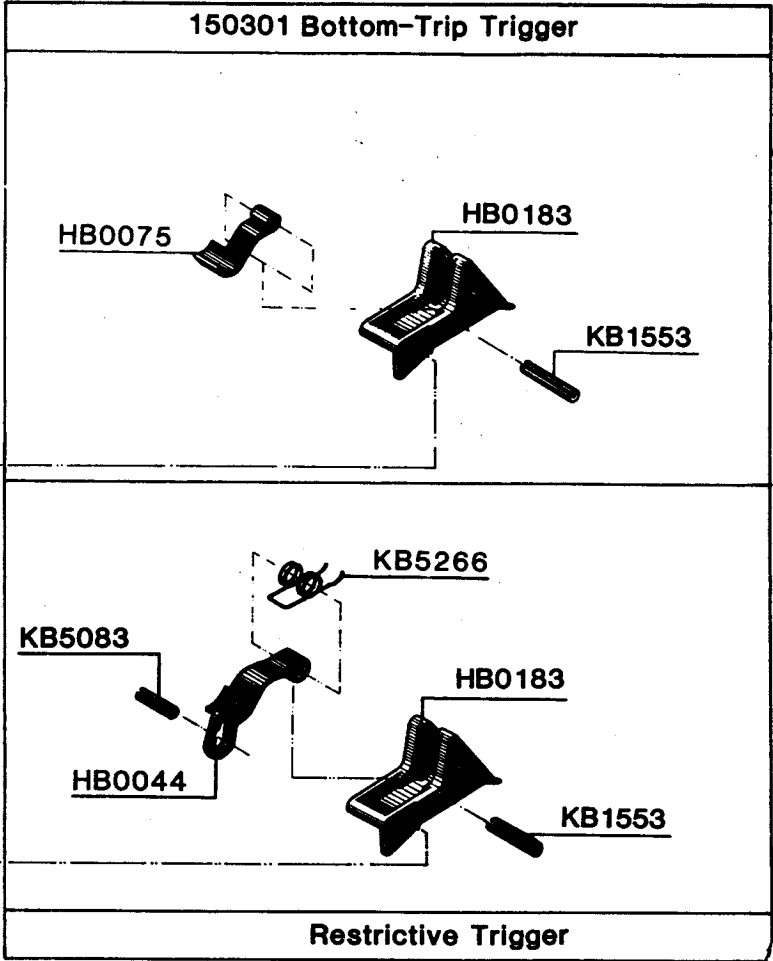
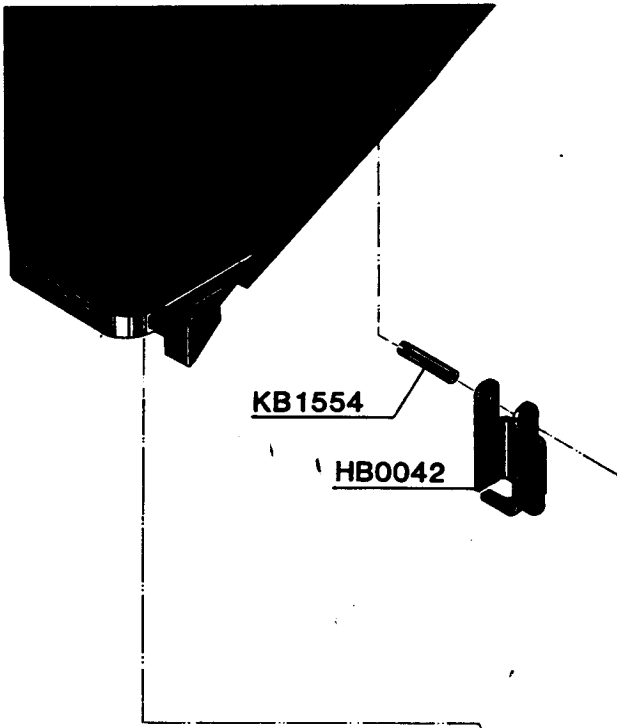
## REPLACEMENT PARTS CHART SN325 NAILER

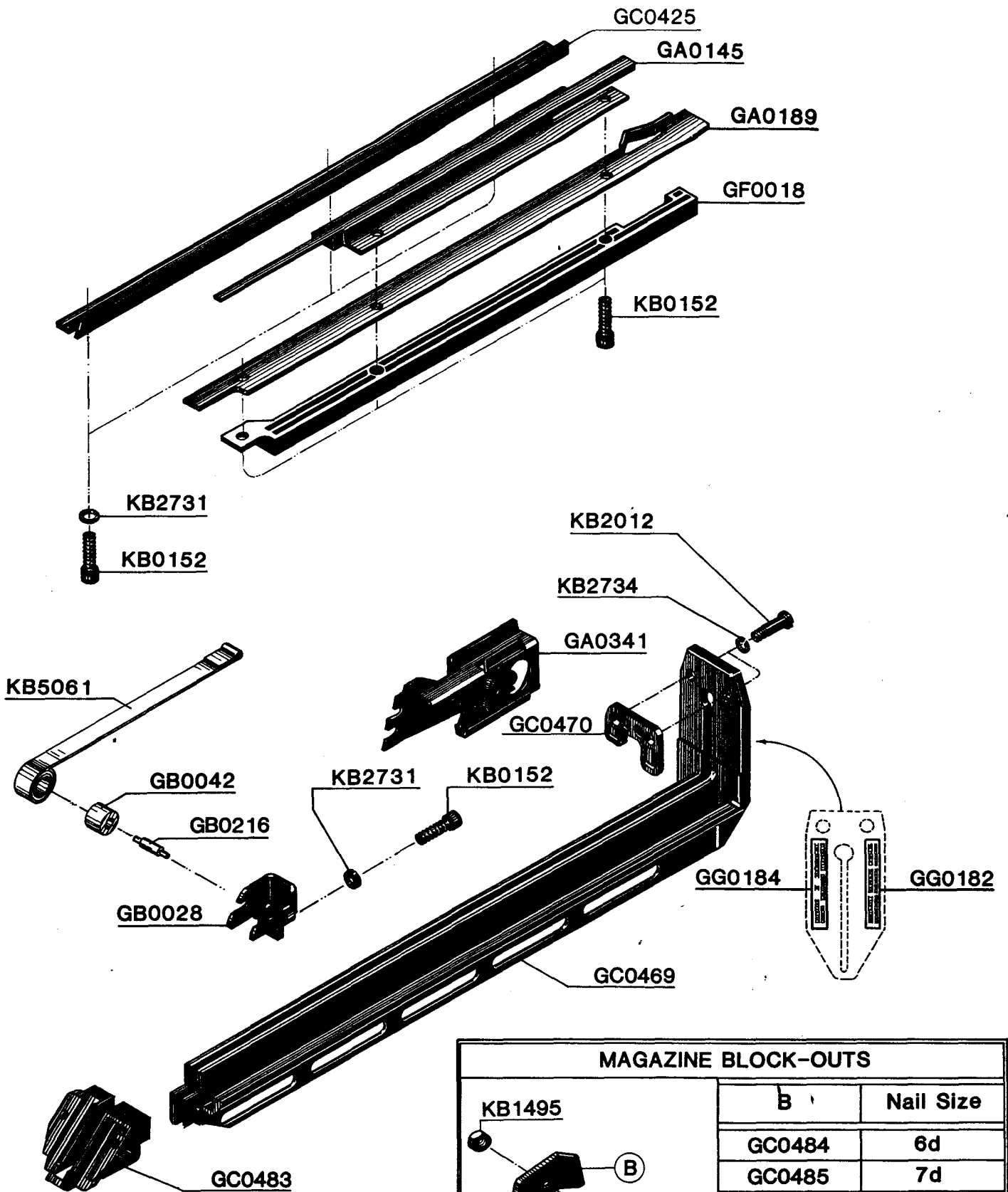
\*Does not include O-rings



Driver Options	A
Flush	EC0111
Regular	EB0169
1/8 Csk.	EB0170
1/4 Csk.	EB0191

MODEL	A
150301 BF/TF	EB0170





MAGAZINE BLOCK-OUTS		
KB1495	B	Nail Size
	GC0484	6d
	GC0485	7d
	GC0486	8d
<p>Magazine block-outs could be required when driving the shorter length fasteners. For additional information, contact your nearest Senco representative.</p>		

