

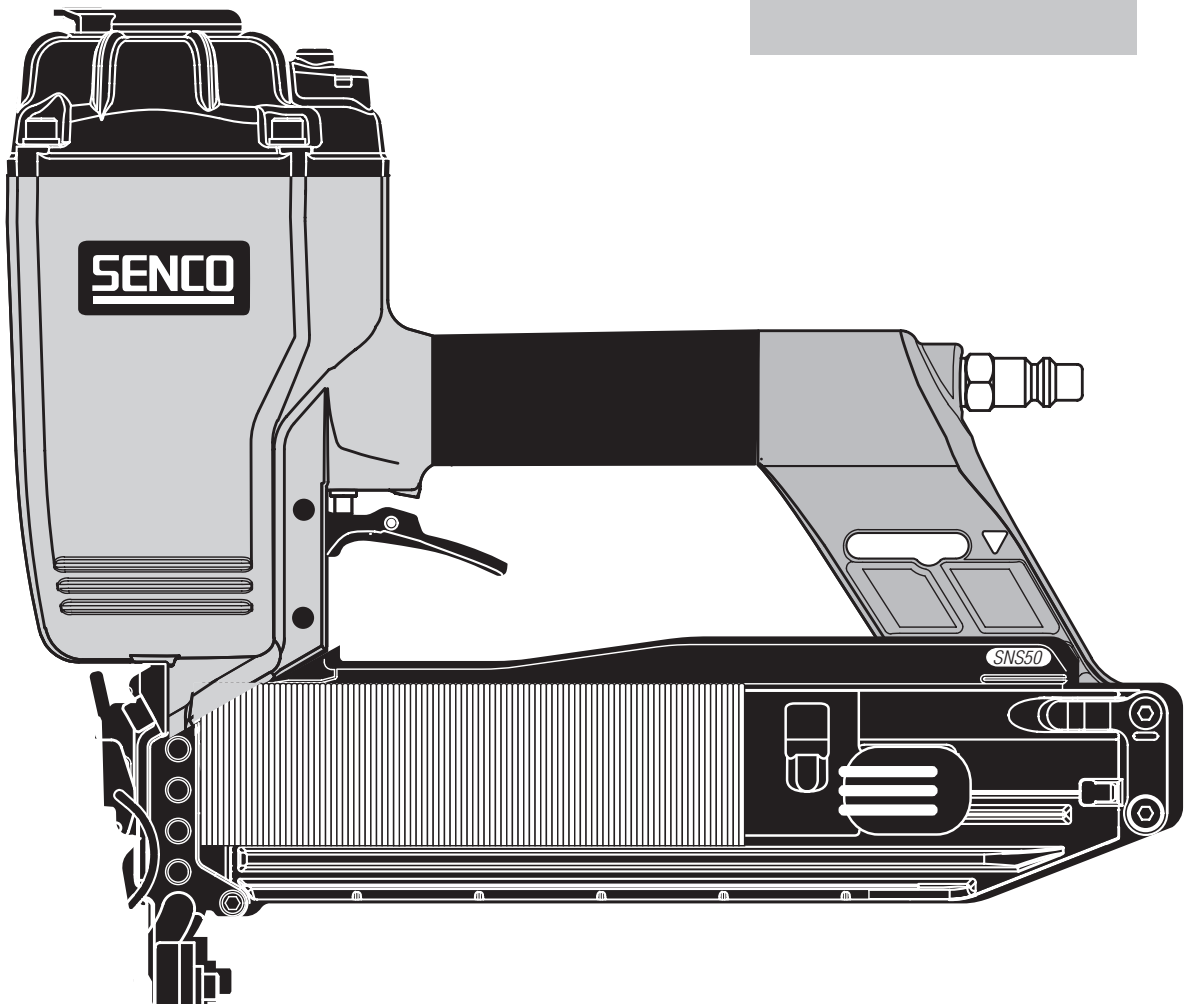
SNS50



Parts Reference Guide



**Repair Kit
YK0375**



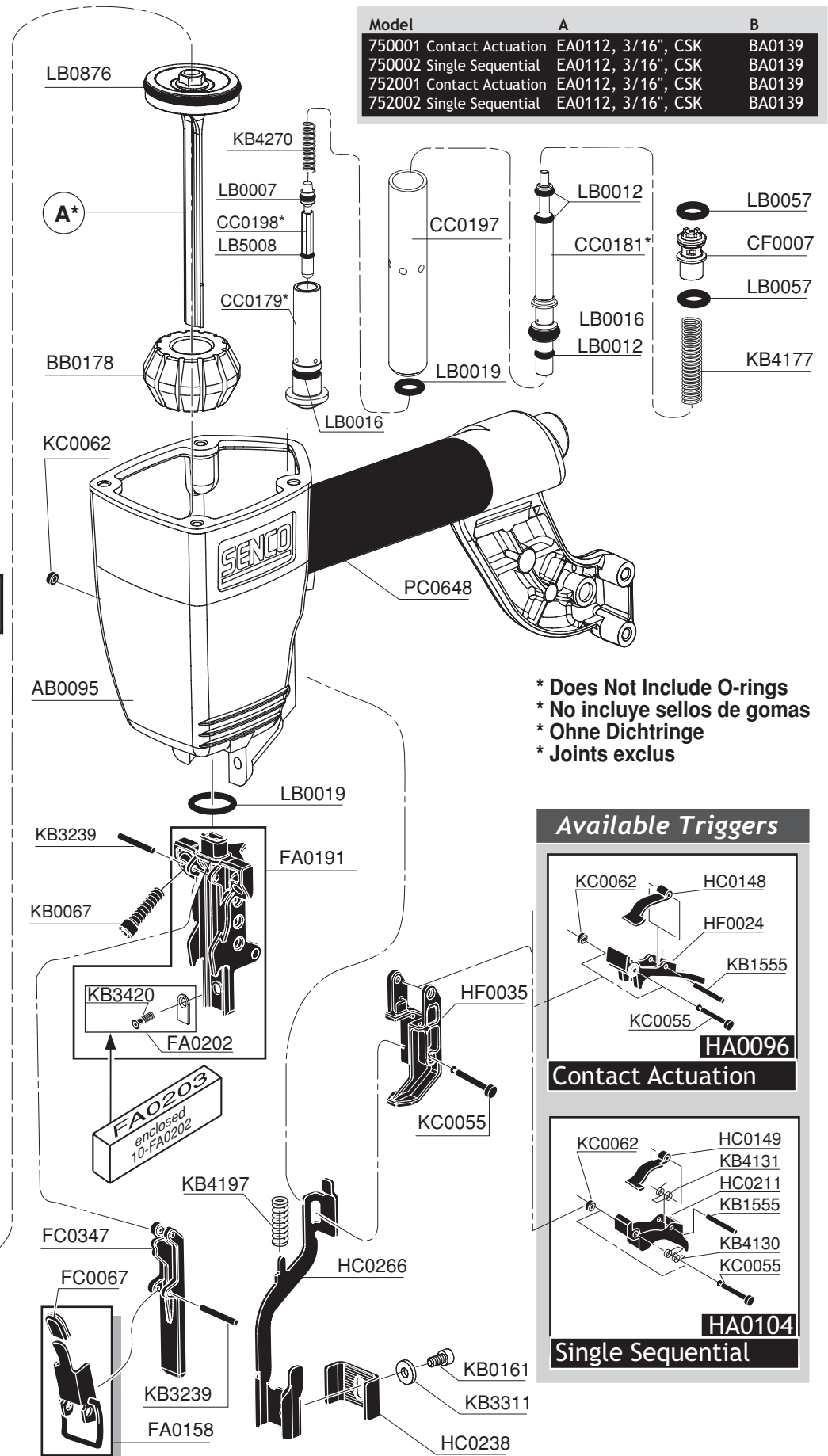
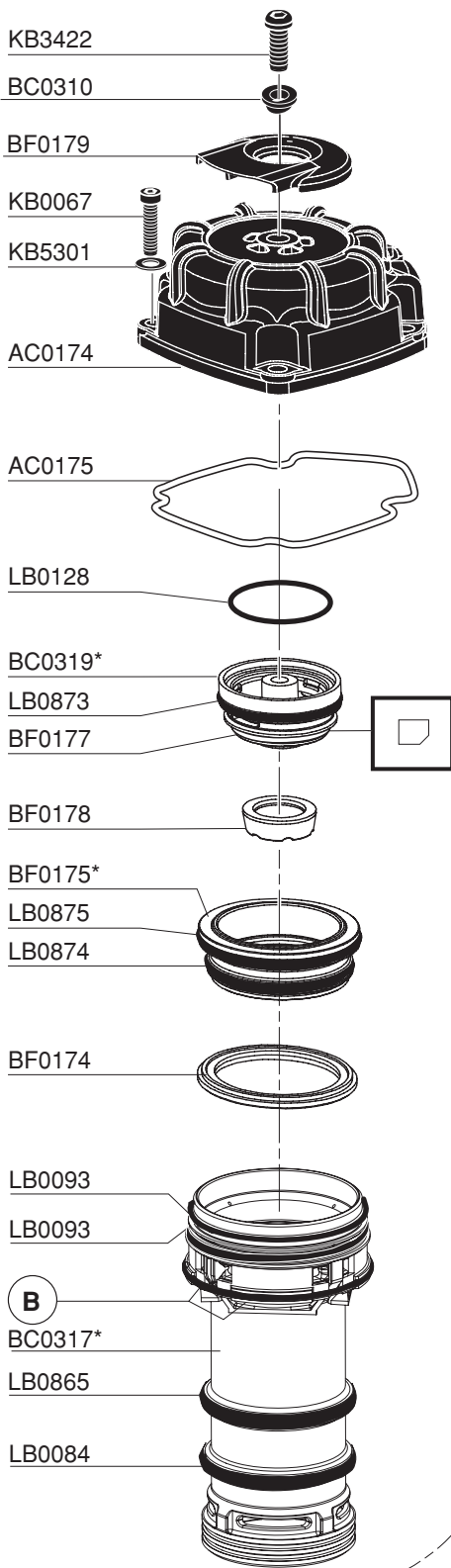
*** Schematic Drawings inside**

Senco Products, Inc.
8485 Broadwell Road
Cincinnati, Ohio 45244

Questions? Comments? call Senco's toll-free Action-line: 1-800-543-4596
or e-mail: toolprof@senco.com

Visit our Website @ www.senco.com

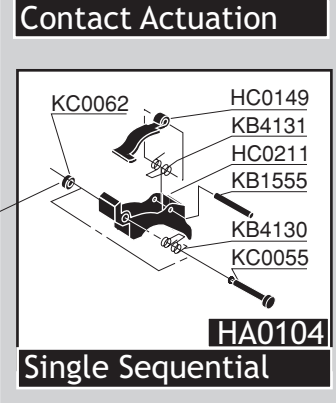
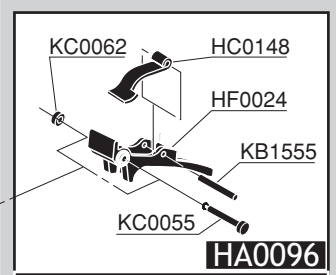
NFG075 Revised November 5, 2003 (Replaces 10/30/00) ©1999, 2003 by Senco Products, Inc. Cincinnati, Ohio 45244—U.S.A.

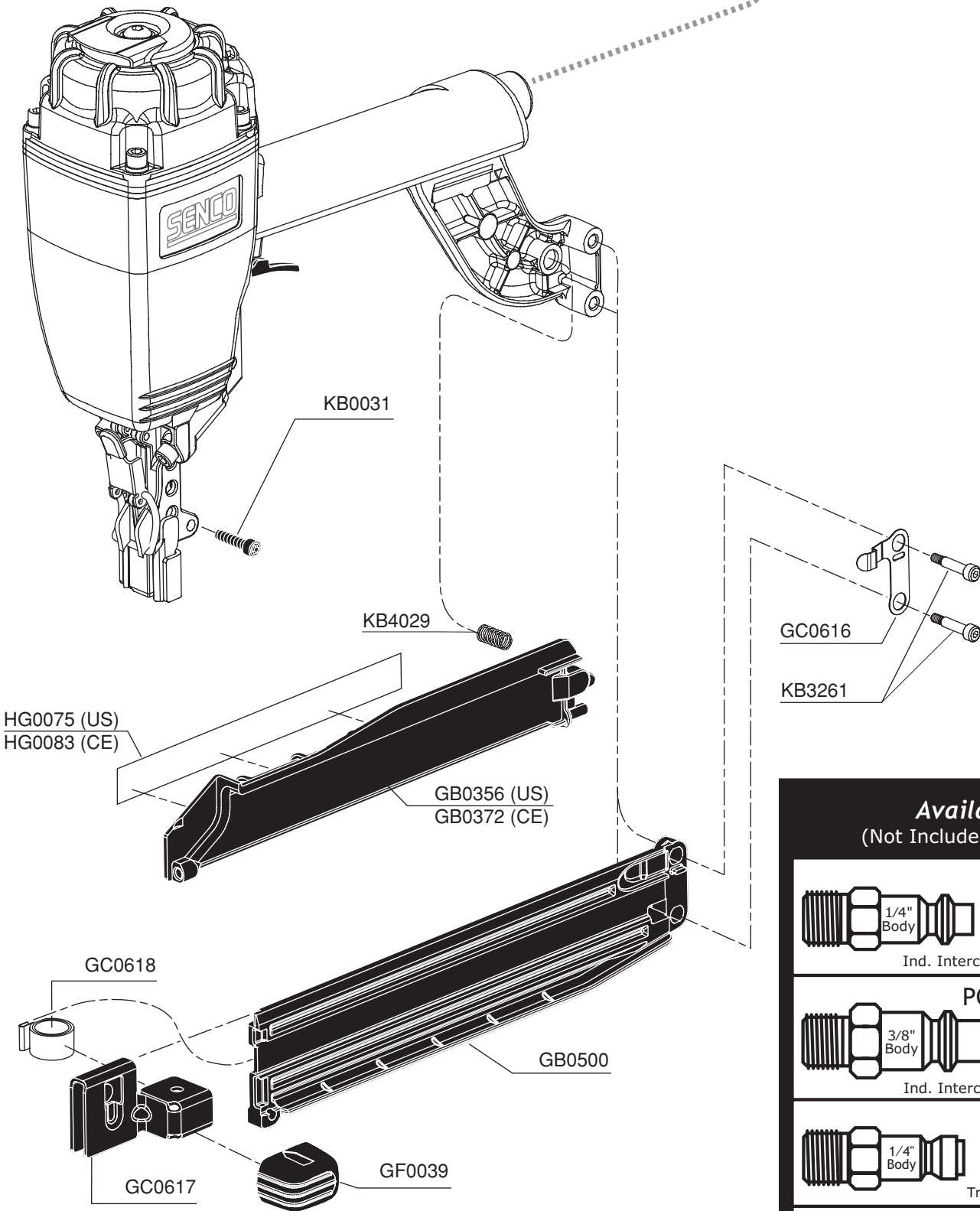


Model	A	B
750001 Contact Actuation	EA0112, 3/16", CSK	BA0139
750002 Single Sequential	EA0112, 3/16", CSK	BA0139
752001 Contact Actuation	EA0112, 3/16", CSK	BA0139
752002 Single Sequential	EA0112, 3/16", CSK	BA0139

* Does Not Include O-rings
 * No incluye sellos de gomas
 * Ohne Dichtringe
 * Joints exclus

Available Triggers





Available Plugs (Not Included with Tool)

	PC0480 ...
Ind. Interchange 3/8" NPT	
	PC0485 ✓ ...
Ind. Interchange 3/8" NPT	
	PC0469 ...
Tru-Flate 3/8" NPT	
	PC0475 ✓ ...
Tru-Flate 3/8" NPT	

✓ **Recommended Plugs**
Plugs shown smaller than actual size

PART NO.	DESCRIPTION	DESCRIPCIÓN	BESCHREIBUNG	DÉSIGNATION
AB0095	MAIN BODY	CARCASA	GEHÄUSE	CORPS
AC0174	CAP	TAPA	KAPPE	BOUCHON
AC0175	SEAL	SELLO	DICHTUNG	JOINT
BA0139	INSERT (4)	ACOPLAMIENTO (4)	EINSATZ (4)	INSERT (4)
BB0178	STOP	TOPE	PUFFER	ARRÊT
BC0310	BUSHING	CASQUILLO	HÜLSE	DOUILLE
BC0317	CYLINDER	CILINDRO	ZYLINDER	CYLINDRE
BC0319	VALVE	VÁLVULA	VENTIL	VALVE
BF0174	SEAL	SELLO	DICHTUNG	JOINT
BF0175	VALVE	VÁLVULA	VENTIL	VALVE
BF0177	SEAL	SELLO	DICHTUNG	JOINT
BF0178	BUMPER	AMORTIGUADOR	PUFFER	AMORTISSEUR
BF0179	DEFLECTOR	DESVIADOR	ABWEISER	DÉFLECTEUR
CC0179	HOUSING	ALOJAMIENTO	GEHÄUSE	CORPS
CC0181	CORE	VÁSTAGO	VENTILSTIFT	NOYAU
CC0197	HOUSING	ALOJAMIENTO	GEHÄUSE	CORPS
CC0198	CORE	VÁSTAGO	VENTILSTIFT	NOYAU
CF0007	HOUSING	ALOJAMIENTO	GEHÄUSE	CORPS
EA0112	PISTON ASSEMBLY	ASAMBLE DE PISTON	KOLBEN-ZUSAMMENBAU	ENSEMBLE PISTON-COUTEAU
FA0158	LATCH ASSEMBLY	ASAMBLE DE UÑETA	VERSCHLUSS-ZUSAMMENBAU	DOIGT DE RETENUE D'ASSEMBLÉE
FA0191	GUIDE BODY	PLACA DE NARIZ	KLAMMERFÜHRUNG	FRONT
FA0202	PLATE	PLACA	PLATTE	PLAQUE
FA0203	PLATE (10)	PLACA (10)	PLATTE (10)	PLAQUE (10)
FC0067	GRIP	AGARRADERO	GRIFF	GAINÉ EN CUIR
FC0347	DOOR	PUERTA	ABDECKSCHIEBER	PORTE
GB0356	DOOR (US)	PUERTA	ABDECKSCHIEBER	PORTE
GB0372	DOOR (CE)	PUERTA	ABDECKSCHIEBER	PORTE
GB0500	MAGAZINE	CARGADOR	MAGAZIN	MAGASIN
GC0616	LATCH	UÑETA	VERSCHLUSS	DOIGT DE RETENUE
GC0617	FEEDER SHOE	ALIMENTADOR	NAGELSCHIEBER	POUSSOIR
GC0618	SPRING	RESORTE	FEDER	RESSORT
GF0039	COVER	CUBIERTA	ABDECKUNG	COUVERCLE
HA0096	TRIGGER ASSEMBLY	ASAMBLE DE GATILLO	AUSLÖSER-ZUSAMMENBAU	GÂCHETTE D'ASSEMBLÉE
HA0104	TRIGGER ASSEMBLY	ASAMBLE DE GATILLO	AUSLÖSER-ZUSAMMENBAU	GÂCHETTE D'ASSEMBLÉE
HC0148	TRIGGER	GATILLO	AUSLÖSER	GÂCHETTE
HC0149	TRIGGER	GATILLO	AUSLÖSER	GÂCHETTE
HC0238	SAFETY ELEMENT	SEGURO	SICHERHEITSVORRICHTUNG	PALPEUR DE SÉCURITÉ
HC0266	SAFETY ELEMENT	SEGURO	SICHERHEITSVORRICHTUNG	PALPEUR DE SÉCURITÉ
HF0024	TRIGGER	GATILLO	AUSLÖSER	GÂCHETTE
HF0035	COVER	CUBIERTA	ABDECKUNG	COUVERCLE
HG0075	LABEL (US)	ETIQUETA	AUFKLEBER	ÉTIQUETTE
	(SAFETY PRECAUTIONS)	(NORMAS DE SEGURIDAD)	(SICHERHEITSHINWEISE)	(PRÉCAUTIONS DE SÉCURITÉ)
HG0083	LABEL (CE)	ETIQUETA	AUFKLEBER	ÉTIQUETTE
	(SAFETY PRECAUTIONS)	(NORMAS DE SEGURIDAD)	(SICHERHEITSHINWEISE)	(PRÉCAUTIONS DE SÉCURITÉ)
KB0031	SCREW	TORNILLO	SCHRAUBE	VIS
KB0067	SCREW	TORNILLO	SCHRAUBE	VIS
KB0161	SCREW	TORNILLO	SCHRAUBE	VIS
KB1555	PIN	PASADOR	STIFT	GOUPILLE
KB3239	PIN	PASADOR	STIFT	GOUPILLE
KB3261	SCREW	TORNILLO	SCHRAUBE	VIS
KB3311	WASHER	ARANDELA	SCHIEBE	RONDELLE
KB3420	SCREW	TORNILLO	SCHRAUBE	VIS
KB3422	SCREW	TORNILLO	SCHRAUBE	VIS
KB4029	SPRING	RESORTE	FEDER	RESSORT
KB4130	SPRING	RESORTE	FEDER	RESSORT
KB4131	SPRING	RESORTE	FEDER	RESSORT
KB4177	SPRING	RESORTE	FEDER	RESSORT
KB4197	SPRING	RESORTE	FEDER	RESSORT
KB4270	SPRING	RESORTE	FEDER	RESSORT
KB5301	WASHER	ARANDELA	SCHIEBE	RONDELLE
KC0055	PIN	PASADOR	STIFT	GOUPILLE
KC0062	RETAINER	RETÉN	SICHERUNGSRING	RETENUE
LB0007	SEAL	SELLO	DICHTUNG	JOINT
LB0012	SEAL	SELLO	DICHTUNG	JOINT
LB0016	SEAL	SELLO	DICHTUNG	JOINT
LB0019	SEAL	SELLO	DICHTUNG	JOINT
LB0057	SEAL	SELLO	DICHTUNG	JOINT
LB0084	SEAL	SELLO	DICHTUNG	JOINT
LB0093	SEAL	SELLO	DICHTUNG	JOINT
LB0128	SEAL	SELLO	DICHTUNG	JOINT
LB0865	SEAL	SELLO	DICHTUNG	JOINT
LB0873	SEAL	SELLO	DICHTUNG	JOINT
LB0874	SEAL	SELLO	DICHTUNG	JOINT
LB0875	SEAL	SELLO	DICHTUNG	JOINT
LB0876	SEAL	SELLO	DICHTUNG	JOINT
LB5008	SEAL	SELLO	DICHTUNG	JOINT
PC0648	GRIP	AGARRADERO	GRIFF	GAINÉ EN CUIR