



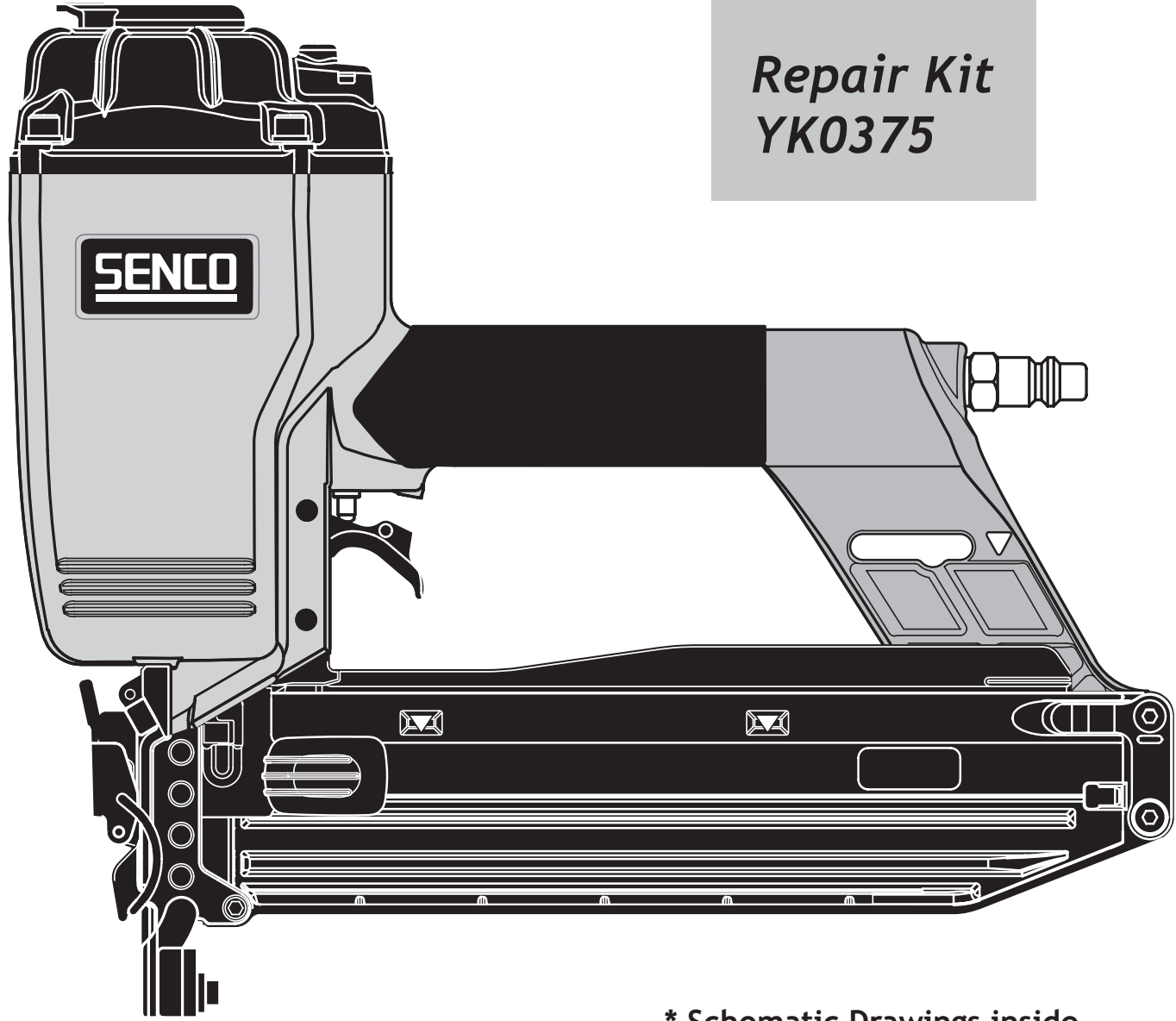
SQS55



Parts Reference Guide



**Repair Kit
YK0375**



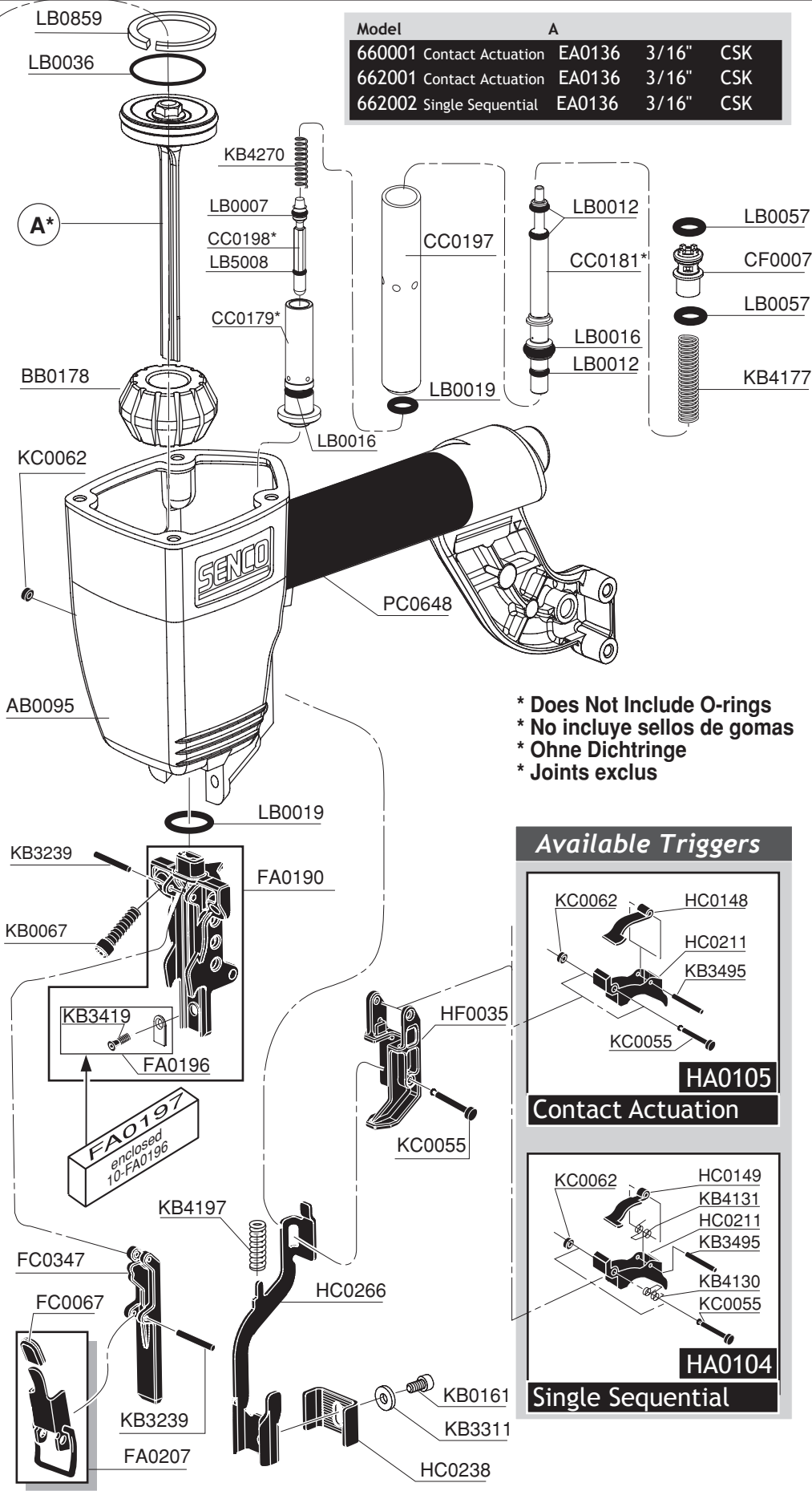
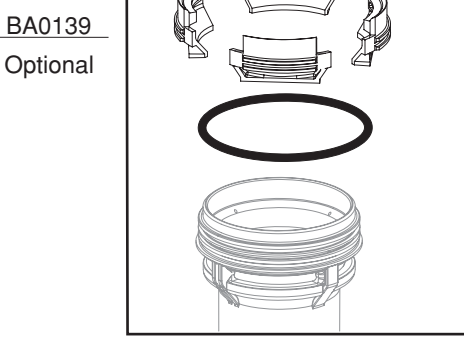
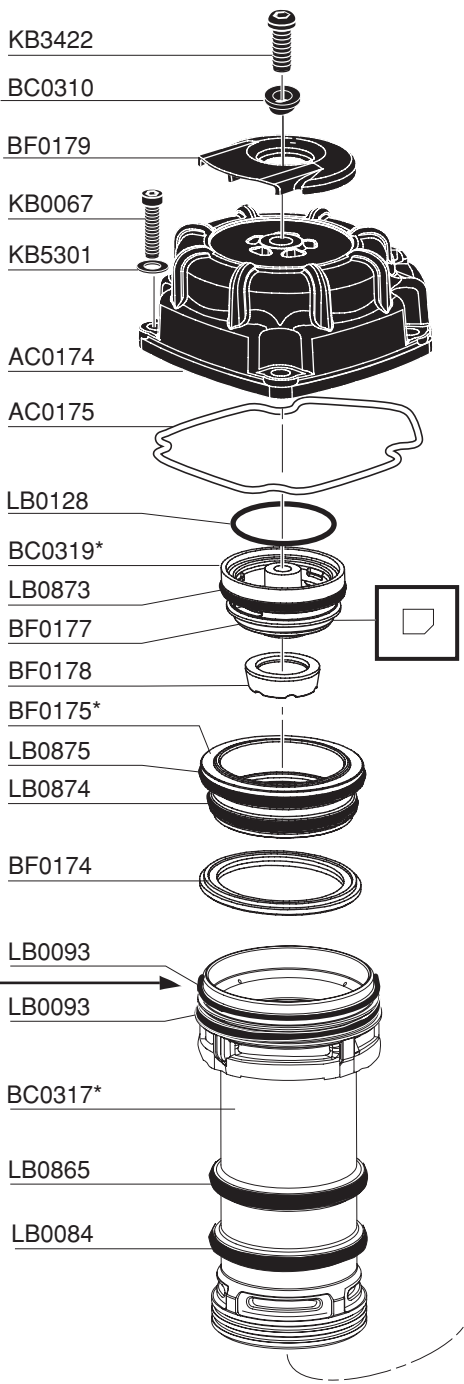
* Schematic Drawings inside

NFG066 Revised February 25, 2004 (Replaces 11/5/03) ©1998, 2004 by SENCO Products, Inc. Cincinnati, Ohio 45244—U.S.A.

Senco Products, Inc.
8485 Broadwell Road
Cincinnati, Ohio 45244

Questions? Comments? call SENCO's toll-free Action-line: 1-800-543-4596
or e-mail: toolprof@senco.com

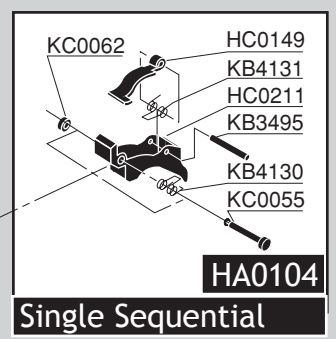
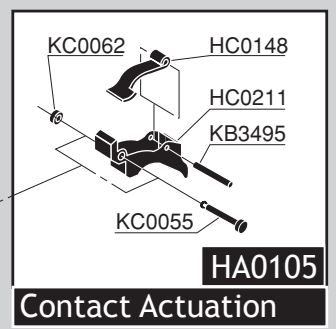
Visit our Website @ www.senco.com



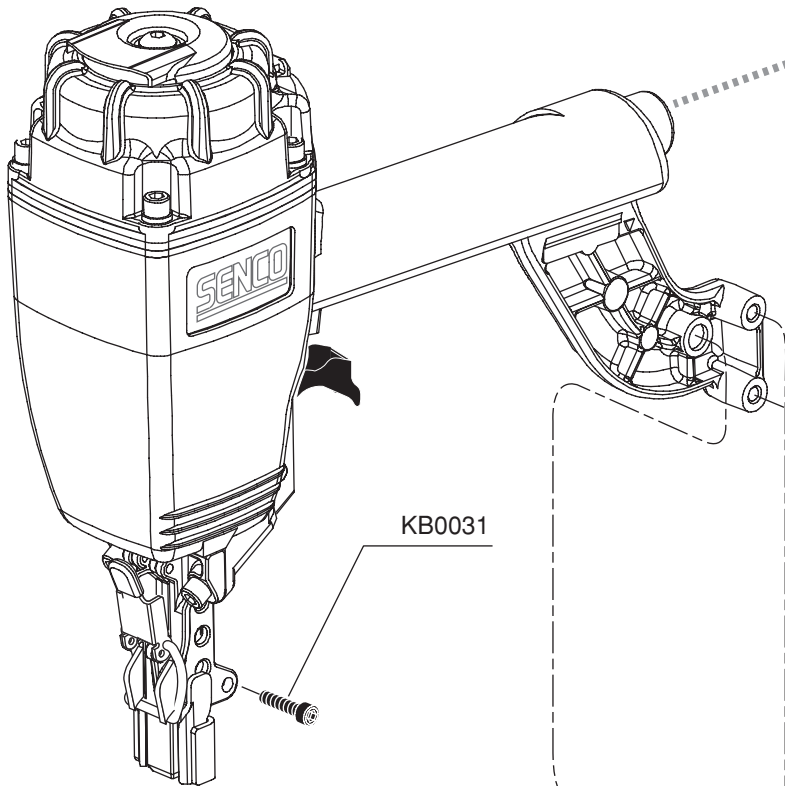
| Model | | A | | |
|--------|-------------------|--------|-------|-----|
| 660001 | Contact Actuation | EA0136 | 3/16" | CSK |
| 662001 | Contact Actuation | EA0136 | 3/16" | CSK |
| 662002 | Single Sequential | EA0136 | 3/16" | CSK |

* Does Not Include O-rings
 * No incluye sellos de gomas
 * Ohne Dichtringe
 * Joints exclus

Available Triggers



SQS55

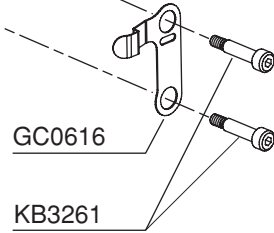


KB0031

KB4029

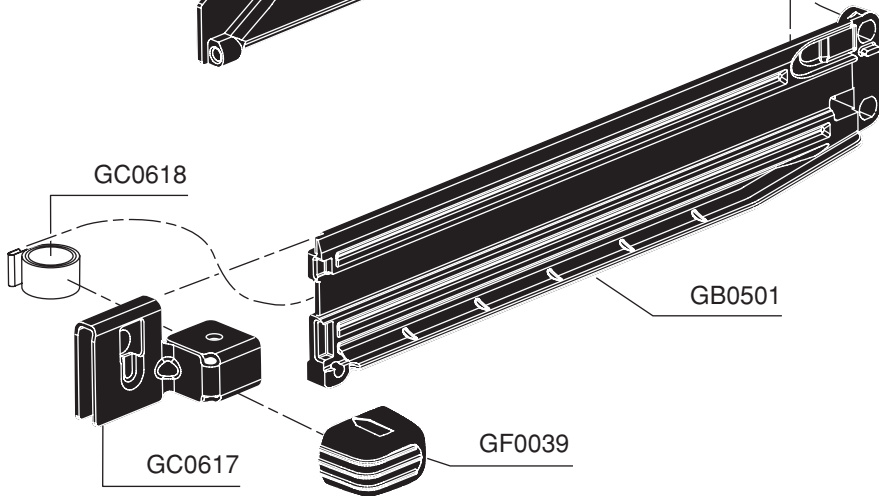
HG0075 (US)
HG0083 (CE)

GB0356 (US)
GB0372 (CE)



GC0616

KB3261



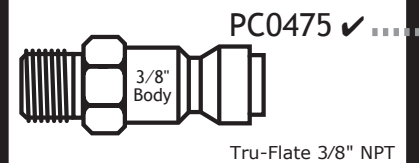
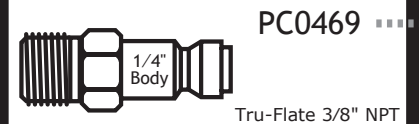
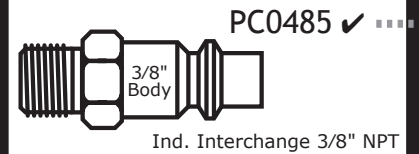
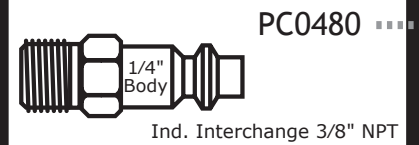
GC0618

GB0501

GC0617

GF0039

Available Plugs (Not Included with Tool)



✓ Recommended Plugs
Plugs shown smaller than actual size

| PART NO. | DESCRIPTION | DESCRIPCIÓN | BESCHREIBUNG | DÉSIGNATION |
|----------|----------------------|-----------------------|------------------------|------------------------------|
| AB0095 | MAIN BODY | CARCASA | GEHÄUSE | CORPS |
| AC0174 | CAP | TAPA | KAPPE | BOUCHON |
| AC0175 | SEAL | SELLO | DICHTUNG | JOINT |
| BA0139 | INSERT (4) | ACOPLAMIENTO (4) | EINSATZ (4) | INSERT (4) |
| BB0178 | STOP | TOPE | PUFFER | ARRÊT |
| BC0310 | BUSHING | CASQUILLO | HÜLSE | DOUILLE |
| BC0317 | CYLINDER | CILINDRO | ZYLINDER | CYLINDRE |
| BC0319 | VALVE | VÁLVULA | VENTIL | VALVE |
| BF0174 | SEAL | SELLO | DICHTUNG | JOINT |
| BF0175 | VALVE | VÁLVULA | VENTIL | VALVE |
| BF0177 | SEAL | SELLO | DICHTUNG | JOINT |
| BF0178 | BUMPER | AMORTIGUADOR | PUFFER | AMORTISSEUR |
| BF0179 | DEFLECTOR | DESVIADOR | ABWEISER | DÉFLECTEUR |
| CC0179 | HOUSING | ALOJAMIENTO | GEHÄUSE | CORPS |
| CC0181 | CORE | VÁSTAGO | VENTILSTIFT | NOYAU |
| CC0197 | HOUSING | ALOJAMIENTO | GEHÄUSE | CORPS |
| CC0198 | CORE | VÁSTAGO | VENTILSTIFT | NOYAU |
| CF0007 | HOUSING | ALOJAMIENTO | GEHÄUSE | CORPS |
| EA0136 | PISTON ASSEMBLY | ASAMBLE DE PISTON | KOLBEN-ZUSAMMENBAU | ENSEMBLE PISTON-COUTEAU |
| FA0190 | GUIDEBODY | PLACA DE NARIZ | KLAMMERFÜHRUNG | FRONT |
| FA0196 | PLATE | PLACA | PLATTE | PLAQUE |
| FA0197 | PLATE (10) | PLACA (10) | PLATTE (10) | PLAQUE (10) |
| FA0207 | LATCH ASSEMBLY | ASAMBLE DE UÑETA | VERSCHLUSS-ZUSAMMENBAU | DOIGT DE RETENUE D'ASSEMBLÉE |
| FC0067 | GRIP | AGARRADERO | GRIFF | GAINÉ EN CUIR |
| FC0347 | DOOR | PUERTA | ABDECKSCHIEBER | PORTE |
| GB0356 | DOOR (US) | PUERTA | ABDECKSCHIEBER | PORTE |
| GB0372 | DOOR (CE) | PUERTA | ABDECKSCHIEBER | PORTE |
| GB0501 | MAGAZINE | CARGADOR | MAGAZIN | MAGASIN |
| GC0616 | LATCH | UÑETA | VERSCHLUSS | DOIGT DE RETENUE |
| GC0617 | FEEDER SHOE | ALIMENTADOR | NAGELSCHIEBER | POUSSOIR |
| GC0618 | SPRING | RESORTE | FEDER | RESSORT |
| GF0039 | COVER | CUBIERTA | ABDECKUNG | COUVERCLE |
| HA0104 | TRIGGER ASSEMBLY | ASAMBLE DE GATILLO | AUSLÖSER-ZUSAMMENBAU | GÂCHETTE D'ASSEMBLÉE |
| HA0105 | TRIGGER ASSEMBLY | ASAMBLE DE GATILLO | AUSLÖSER-ZUSAMMENBAU | GÂCHETTE D'ASSEMBLÉE |
| HC0148 | TRIGGER | GATILLO | AUSLÖSER | GÂCHETTE |
| HC0149 | TRIGGER | GATILLO | AUSLÖSER | GÂCHETTE |
| HC0211 | TRIGGER | GATILLO | AUSLÖSER | GÂCHETTE |
| HC0238 | SAFETY ELEMENT | SEGURO | SICHERHEITSVORRICHTUNG | PALPEUR DE SÉCURITÉ |
| HC0266 | SAFETY ELEMENT | SEGURO | SICHERHEITSVORRICHTUNG | PALPEUR DE SÉCURITÉ |
| HF0035 | COVER | CUBIERTA | ABDECKUNG | COUVERCLE |
| HG0075 | LABEL (US) | ETIQUETA | AUFKLEBER | ÉTIQUETTE |
| | (SAFETY PRECAUTIONS) | (NORMAS DE SEGURIDAD) | (SICHERHEITSHINWEISE) | (PRÉCAUTIONS DE SÉCURITÉ) |
| HG0083 | LABEL (CE) | ETIQUETA | AUFKLEBER | ÉTIQUETTE |
| | (SAFETY PRECAUTIONS) | (NORMAS DE SEGURIDAD) | (SICHERHEITSHINWEISE) | (PRÉCAUTIONS DE SÉCURITÉ) |
| KB0031 | SCREW | TORNILLO | SCHRAUBE | VIS |
| KB0067 | SCREW | TORNILLO | SCHRAUBE | VIS |
| KB0161 | SCREW | TORNILLO | SCHRAUBE | VIS |
| KB3239 | PIN | PASADOR | STIFT | GOUPILLE |
| KB3261 | SCREW | TORNILLO | SCHRAUBE | VIS |
| KB3311 | WASHER | ARANDELA | SCHEIBE | RONDELLE |
| KB3419 | SCREW | TORNILLO | SCHRAUBE | VIS |
| KB3422 | SCREW | TORNILLO | SCHRAUBE | VIS |
| KB3495 | PIN | PASADOR | STIFT | GOUPILLE |
| KB4029 | SPRING | RESORTE | FEDER | RESSORT |
| KB4130 | SPRING | RESORTE | FEDER | RESSORT |
| KB4131 | SPRING | RESORTE | FEDER | RESSORT |
| KB4177 | SPRING | RESORTE | FEDER | RESSORT |
| KB4197 | SPRING | RESORTE | FEDER | RESSORT |
| KB4270 | SPRING | RESORTE | FEDER | RESSORT |
| KB5301 | WASHER | ARANDELA | SCHEIBE | RONDELLE |
| KC0055 | PIN | PASADOR | STIFT | GOUPILLE |
| KC0062 | RETAINER | RETÉN | SICHERUNGSRING | RETENUE |
| LB0007 | SEAL | SELLO | DICHTUNG | JOINT |
| LB0012 | SEAL | SELLO | DICHTUNG | JOINT |
| LB0016 | SEAL | SELLO | DICHTUNG | JOINT |
| LB0019 | SEAL | SELLO | DICHTUNG | JOINT |
| LB0036 | SEAL | SELLO | DICHTUNG | JOINT |
| LB0057 | SEAL | SELLO | DICHTUNG | JOINT |
| LB0084 | SEAL | SELLO | DICHTUNG | JOINT |
| LB0093 | SEAL | SELLO | DICHTUNG | JOINT |
| LB0128 | SEAL | SELLO | DICHTUNG | JOINT |
| LB0859 | SEAL | SELLO | DICHTUNG | JOINT |
| LB0865 | SEAL | SELLO | DICHTUNG | JOINT |
| LB0873 | SEAL | SELLO | DICHTUNG | JOINT |
| LB0874 | SEAL | SELLO | DICHTUNG | JOINT |
| LB0875 | SEAL | SELLO | DICHTUNG | JOINT |
| LB5008 | SEAL | SELLO | DICHTUNG | JOINT |
| PC0648 | GRIP | AGARRADERO | GRIFF | GAINÉ EN CUIR |