

## description

The Matrix M-57 GS is a gantry (straddle) style wrapping machine designed for fast and efficient stretch wrapping of pallet loads. The unit can be loaded by pallet jack or lift truck. There is no load weight limit. The system will wrap up to 35 loads per hour.

## operation

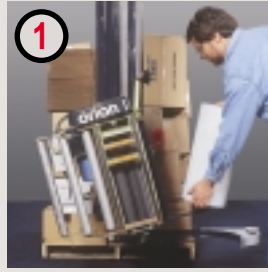
- 1) Place pallet load in wrap area
- 2) Attach film to bottom of load
- 3) Press start button on control panel
- 4) Load is wrapped automatically
- 5) Cut and secure film tail to wrapped load

## • features

- High performance film delivery system yields 245% prestretch (standard)
- Unlimited load weight capacity because loads are wrapped on floor
- Rotary wrapping method well-suited for extra light, unstable or heavy loads
- Automatically adjusts for various load heights (up to 80" maximum)
- Variable speed tower rotation with a 12 RPM maximum
- Positive home alignment puts carriage in same position after each cycle
- Rotational safety photoeye beam stops machine if beam is broken
- All structural steel construction for years of dependable service
- Precision ring bearing tower support with ANSI chain/sprocket drive for ultra-reliability
- Non-proprietary replacement parts can be purchased locally or from dealer
- Self-threading Insta-Thread™ carriage makes loading film fast, safe and easy
- Revo-Logic™ technology assures precise number of top/bottom wraps



# Insta-Thread™ Film Delivery System: Fast, Easy, Consistent



1 Threading the Insta-Thread film carriage is fast and easy: first, place the film roll on the mandrel...



2 ...next, open the hinged roller frame and pull the film web through...



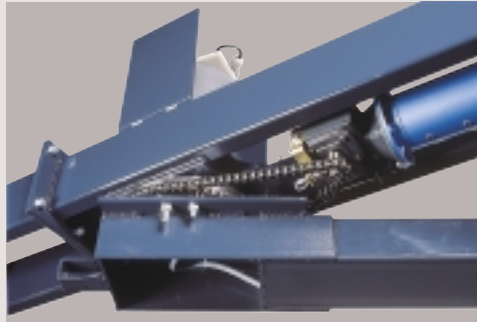
3 ...finally, latch the roller frame closed, activate power and pull film through. That's all there is to it!

The 'heart' of the M57-GS is the Insta-Thread™ film delivery system, an extremely reliable film carriage engineered to accurately pre-stretch film at a fixed rate and deliver it to the load at a constant tension level. Threading film on the Insta-Thread is fast, easy and safe, no hands or fingers in or around pre-stretch rollers.

- Uses standard 20" stretch film rolls
- Precision ground, polyurethane pre-stretch rollers for consistent, maximum film yield
- 245% standard pre-stretch ratio (optionally available from 100% to 425%)
- Carriage lifted by heavy-duty ANSI industrial chain
- Revo-Logic™ exact wrap count technology eliminates film waste by applying top & bottom wraps precisely
- Electronic film tension control on control panel
- Full authority film dancer bar with non-wearing sensor adjusts film output to compensate for corners of load
- Heavy-duty ANSI chain & sprocket ratio control
- Multi-point UHMW precision carriage guidance system
- End of cycle film force release prevents film jams

## Tower Drive: Rugged, Reliable, Accessible

- Elegantly simple yet highly durable
- Variable speed drive motor: 0-12 RPM
- Industrial grade ANSI chain/sprocket
- Positive home position alignment
- Non-proprietary replacement parts
- All components easily accessible
- Adjustable soft-start and stop (gradual acceleration / deceleration)



## specifications

<b>Machine Performance</b>	
Rotation speed	Variable to 12 RPM
<b>Film Delivery System</b>	
Prestretch ratio	245% (standard)
Threading method	Insta-Thread
Corner compensation	Electronic, non-wearing
<b>Load Specifications</b>	
Maximum load weight	Unlimited (floor loaded)
Maximum load diagonal	75"
Maximum load size	53"W x 53"L x 80" H
<b>Power Requirements</b>	
	115 / 1 / 60 15 amp
<b>Structural Design</b>	
	100% Structural steel used throughout
	Free standing 2-leg design
	Portable after initial installation
<b>Warranty</b>	
	3/5 Year limited
<b>Estimated Shipping Weight</b>	
	2,200 pounds

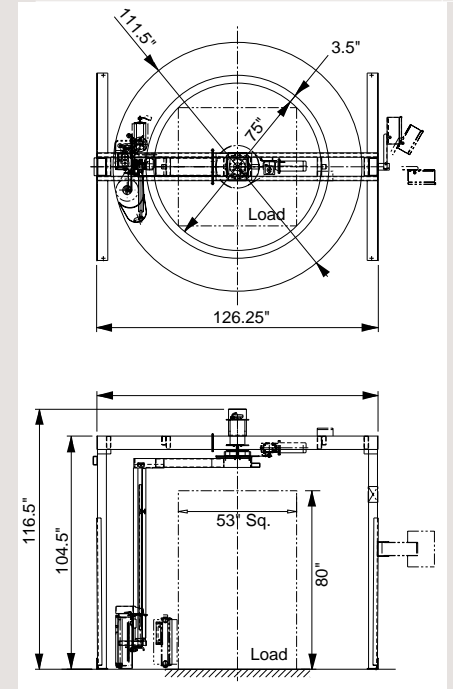
## Controller: Non-proprietary, Easy to Use, UL, NEMA-12



- CSA Approved, UL Approved, NEMA 12 rated control panel
- Clearly marked, easy to use operator interface
- Large mushroom-style Emergency E-Stop button
- Adjust film tension easily with Film Tension knob
- Allen Bradley MicroLogix PLC controller
- Non-proprietary pushbuttons & switches
- Revo-Logic™ exact wrap count technology saves film
- Separate count selectors for Top Wraps & Bottom Wraps
- Separate settings for carriage up speed & carriage down speed
- Raise & lower film carriage manually with the Carriage Jog button
- Pause the wrap cycle without resetting with Cycle Pause button
- Rotate the tower manually with the Tower Jog button

distributed by:

## dimensions



**orion** Orion Packaging Systems, Inc.  
 A Pro Mach Operating Partner  
 USA Corporate Headquarters  
 100 Crescent Drive  
 Collierville, TN 38017  
 Toll Free (800) 333-6556  
 Telephone (901) 888-4170  
 Fax (901) 365-1071  
 CANADA Manufacturing  
 2270 Industrial Blvd  
 Laval, Montreal, H7S 1P9  
 Telephone (450) 667-9769  
 Fax (450) 667-6320  
 Email: sales@orionpackaging.com  
 Web: www.orionpackaging.com  
 Bulletin #M57GS.8/00.JKG