

**PAPERplus**<sup>®</sup> by **STOROpack**



**STOROpack**

# A complete line of paper



Product overview	3
PAPERplus® Classic	4
PAPERplus® Chevron	8
PAPERplus® Shooter	10
Systems integration	12



# packaging material

## PAPERplus<sup>®</sup> by STOROPack

PAPERplus<sup>®</sup> from Storopack offers a variety of systems that transform paper rolls into packaging material for any application from speedy light-weight filler to strong cushioning pads. Whether you're packing small, medium-sized, large, or heavy industrial items, there is a PAPERplus<sup>®</sup> product that is an efficient and economical solution for your packaging needs.

PAPERplus<sup>®</sup> in-the-box packaging materials are made from recycled and virgin paper. It's durable enough to be used many times and recyclable — making it economical and environmentally friendly.

### Efficient. Dependable. Versatile.

- Largest selection of in-the-box paper packaging products and machines in the industry
- Reliable easy-to-operate equipment with efficiencies like programmable keypads and hands-free foot pedal control
- Multiple machine configurations with flexible features and add-on components allow you to fit the equipment to your facility and engineer the most efficient production methods for your packing requirements
- Skilled responsive representatives and service technicians ensure your packaging systems are operating at peak efficiency

### Watch for this functionality key

This convenient guide is shown throughout our catalog to help you choose the right PAPERplus<sup>®</sup> product. The functions highlighted on the side of the box ensure you're getting the product that will meet your packaging needs.

#### **Cushion:**

Absorbs shock. Protects fragile products.

#### **Block and Brace:**

Holds heavy items or single objects in place inside the box.

#### **Void-Fill:**

Fills empty space and keeps products from rattling in the box.

#### **Wrap:**

Covers product surfaces to avoid contact damage and provides all sides with shock protection.



# PAPERplus® Classic

## Strong paper pads for reliable protection

Functionality:

- ✓ Cushion
- ✓ Void-Fill
- ✓ Block & Brace
- ✓ Wrap



- Superior all-around protection
- Resists tearing and perforation
- Formed on-demand
- Reuseable and recyclable

PAPERplus® Classic offers the most versatile functionality of any in-the-box paper packaging product. Combining the flexibility of different paper weight options and the use of different packing techniques can make PAPERplus® an economical choice for virtually any application. PAPERplus® pads provide the strength and durability to stabilize heavy objects and the bulk needed for superior cushioning and void-fill.



*Cushioning method for fragile items.*



*Convenient and easy for void-fill applications.*



*Block and brace objects to prevent migration.*



*Coil or wrap to stabilize and protect objects.*

Choose from two versions of the PAPERplus® Classic machines and a variety of paper ranges that provide paper pads for different packing situations:

■ **PAPERplus® Classic**

Our Classic machine produces hefty paper mattresses that work well in all box sizes.

■ **PAPERplus® GE**

The optimized GE machine produces slightly smaller paper mattresses that work well in all box sizes—especially small to medium boxes. The slightly smaller size lowers in-the-box cost and speeds-up loading and handling.

Both types of paper pads offer the strength and versatility to cushion and protect any item whether it’s heavy, fragile—or just awkward to pack.

**Multiple paper choices for unlimited packaging needs**

Paper Type	Width x Length	Packaging Volume per roll
GE 1-ply	1066'	95 ft <sup>3</sup>
GE 2-ply	918'	125 ft <sup>3</sup>
1-ply 40#	29.5" x 1,350' and 1,800'	75-100 ft <sup>3</sup>
1-ply 60#	29.5" x 900' and 1,350'	115-170 ft <sup>3</sup>
2-ply 30/30#	29.5" x 900' and 1,350'	110-155 ft <sup>3</sup>
2-ply 30/50#	29.5" x 900' and 1,350'	125-170 ft <sup>3</sup>
2-ply 43/43#	29.5" x 900' and 1,300'	135-185 ft <sup>3</sup>
2-ply 50/50#	29.5" x 900' and 1,200'	150-195 ft <sup>3</sup>
3-ply 30/30/30#	29.5" x 450'	80 ft <sup>3</sup>
3-ply 30/50/30#	29.5" x 900'	175 ft <sup>3</sup>



*A standard Classic paper roll and the smaller GE paper roll.*

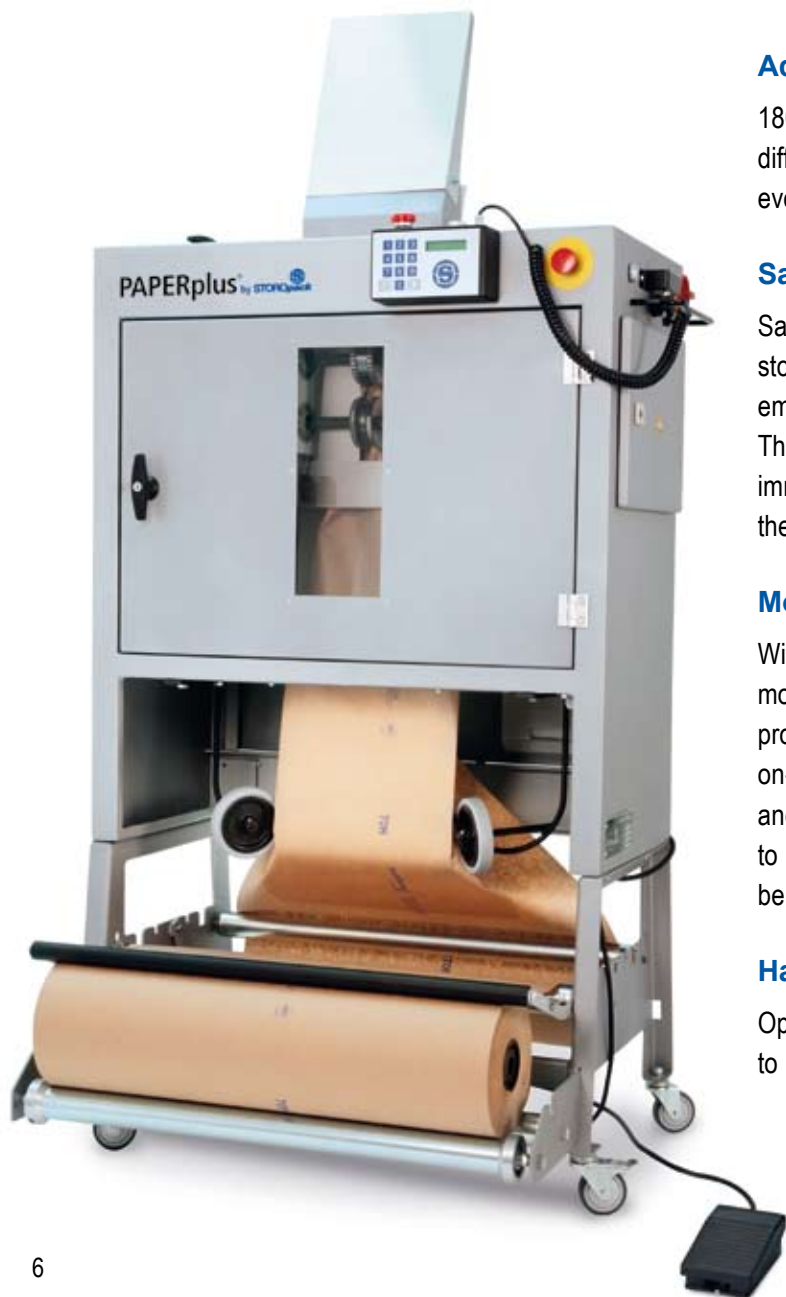


PAPERplus® Classic machines use a very effective patented crimping technique to produce paper mattress pads that are reinforced to offer enhanced compression strength over competitive products. This gives you a better cubic volume yield from the paper roll and more reliable protection.

### Classic Vertical

Boasting the smallest footprint of the Classic Line, the popular vertical model is ideal for environments where space and speed are important concerns.

<b>Size:</b>	70" H x 36" W x 36" D
<b>Weight:</b>	400 lbs
<b>Power:</b>	110 v
<b>Speed:</b>	Standard – 42 fpm High speed – 120 fpm
<b>Paper:</b>	Single- or double-ply



#### Adjustable and flexible:

180° directional chute lets you move and adjust to different operator height and work environments — even against a wall.

#### Safety:

Safety features include two easily accessible emergency stop buttons on each machine to ensure that your employees are always protected — just like your product. The machine is equipped with sensors that will detect immediately any malfunctions and stop the operation of the machine.

#### Mobility and control:

With nine modes of operation, the programmable and movable control pad gives operators full control of production, even from a distance. Produce pads on-demand or program production for multiple stations and/or multiple orders. This capability enables packers to be highly efficient, with minimal downtime. Units can be “locked-out” to simplify operators use.

#### Hands-free operation:

Operators are even more productive using the foot pedal to control output — leaving hands free for packing.

## Two Classic Tabletop Models

The Classic Tabletop doubles the functionality by dispensing PAPERplus® pads directly to a tabletop packing station. Available in two sizes, the Classic Double Tabletop provides 75% more workspace than the single tabletop. Both come with adjustable table height capabilities.



### Single Tabletop

**Size:** 33" H x 38" W x 62" D  
**Weight:** 375 lbs  
**Power:** 110 v  
**Speed:** 42 fpm  
**Paper:** Single-, double-, or three-ply are standard



### Double Tabletop

**Size:** 33" H x 55" W x 75" D  
**Weight:** 430 lbs  
**Power:** 110 v  
**Speed:** 42 fpm  
**Paper:** Single-, double-, or three-ply are standard



### Classic Horizontal

The Classic Horizontal extends over your packing station or packing line to conveniently and rapidly deliver PAPERplus® pads where you need them, when you need them.

**Size:** 70" H x 30" W x 60" D  
**Weight:** 350 lbs  
**Power:** 110 v  
**Speed:** Standard – 42 fpm  
High speed – 120 fpm  
**Paper:** Single-, double-, or three-ply are standard



# PAPERplus<sup>®</sup> Chevron

Hybrid packaging tubes  
combine air and paper to fill and protect

Functionality:

- ✓ Cushion
- ✓ Void-Fill
- ✓ Block & Brace



- Economical void-fill
- Light- to medium-weight cushioning
- Formed on-demand
- Reusable and recyclable

PAPERplus<sup>®</sup> Chevron is the smartest packing filler ever created. Using our patented pleating technique, Chevron combines paper and air to form a very lightweight and flexible 4" diameter tube that gives you maximum fill with less paper. You'll use fewer packing materials and your packages will be lighter, saving you money in two critical areas.



*Creates a flexible paper and air cushion for light weight products.*



*Creates a true void-fill product by filling the void with air and paper.*



*Creates a paper pad to block and brace the product in the box.*

## Easy handling and versatility

Chevron's pleated paper tubes are flexible—making them easy to handle. They are perforated every 3" for easy separation allowing you to adjust the packing material length to fit your needs. In addition to economical void-fill, Chevron creates an effective cushioning material suitable to protect light- and medium-weight products of varying sizes.

## Paper Specifications

Chevron offers multiple material options including different paper weights of standard brown kraft paper or white kraft paper popular for pharmaceutical and cosmetic applications. Both you and your customers will appreciate the reusable and recyclable aspects of Chevron.



Paper Type	Width x Length	Packaging Volume Per Roll
40#	8" x 1640'	132 ft <sup>3</sup>
60#	8" x 1280'	124 ft <sup>3</sup>

## Fast, Efficient and Mobile

The PAPERplus® Chevron system can be integrated into any packaging process. Chevron is efficient, easy to load and operate, and extremely mobile, making it ideal for both high speed and individual packing station environments. Chevron paper tubes can be created on-demand, minimizing inventory and storage requirements, or produced in batches and fed into a Storopack bin.



### Chevron

<b>Footprint:</b>	71" H x 35.5" W x 35.5" D
<b>Weight:</b>	397 lbs
<b>Power:</b>	110 v
<b>Speed:</b>	Standard - 66 fpm

### Multi-Function Keyboard

The easy to use keypad has three programmable modes — manual, automatic and on-demand. This capability enables packers to be highly efficient, with minimal downtime by programming production for multiple stations and/or multiple orders, or producing Chevron tubes on-demand.



# PAPERplus® Shooter

## High-speed paper dispensing system

### Functionality:

- ✓ Void-Fill
- ✓ Block & Brace



- Multi-layer void-fill using one-ply paper
- Speeds up production
- Easy set-up in special dispensing carton
- Neat, clean and recyclable

Need void-fill fast? With lightning speed of 220 - 550 FPM, the PAPERplus® Shooter mechanically creates multi-layer void-fill, automatically cuts the paper and “shoots” it directly into the box. The system increases productivity, saving time and reducing worker fatigue by replacing slow manual crumpling. In addition, enhanced crimping yields a bulkier paper cushion that maximizes one-ply paper to save on material costs.

As with all PAPERplus® packing products, our paper is made from virgin and recycled paper that is durable enough to be reused and is recyclable. The PAPERplus® Shooter offers a neat, clean and eco-friendly alternative for void-fill.



*Makes an efficient void-fill and stabilizes the product.*

### Speed up your packing process

PAPERplus® Shooter creates a fast and effective void-fill product that works whether you're packing single or multiple items. The paper is automatically crumpled and fed directly into the carton to speed up production.

### Paper specifications

Paper Type	Width x Length	Rolls Per Skid
30#	14.75" x 2100'	36

In a specially designed carton the paper unwinds from the inside of the roll and feeds through the PAPERplus® Shooter, automatically creating multi-layer filler for on-demand availability. A seemingly simple design, the PAPERplus® Shooter is a well-constructed, high tech machine with features designed to improve your packing production including:

- Variable speed capability allows fit-for-purpose application and helps control cost
- Enhanced crimping system traps air to create better void-fill yield using less paper
- Automatic cutting and hands-free foot pedal operation provide better ergonomics and faster throughput
- On-demand option allows for cost-control in batch packaging applications
- Paper roll comes in specially designed dispensing carton for fast and easy roll changes
- Ergonomic height adjustment for operator benefit
- Tabletop or floor stand model adapt to any packing environment
- Free rotating head for packing flexibility



#### Tabletop Model Specifications

**Size:** 40" H x 18" W x 24" D  
**Weight:** 39 lbs  
**Power:** 115 V 60Hz  
**Speed:** 220 - 550 fpm



#### Floor Model Specifications

**Size:** 69" H x 24" W x 24" D  
**Weight:** 63 lbs  
**Power:** 115 V 60Hz  
**Speed:** 220 - 550 fpm



# PAPERplus® Integrations

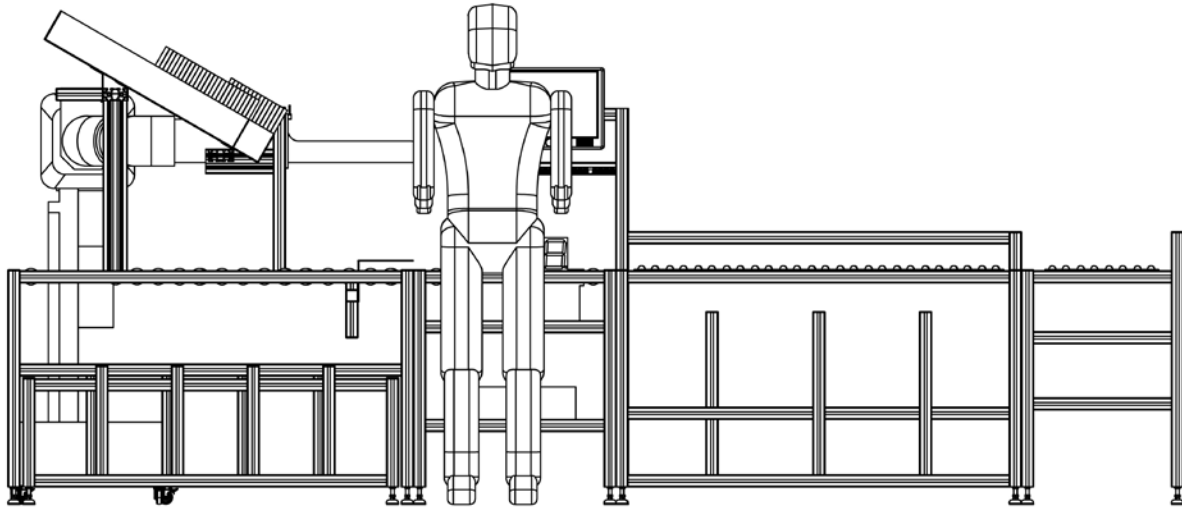
## Integration at your service

PAPERplus® machines from Storopack provide the versatility that makes them easy to integrate into any packaging environment. With options such as single and double packing tables, vertical and horizontal machine designs, and tabletop or floor models, PAPERplus® offers maximum efficiencies for space and production capacity. We custom design and build ergonomic, innovative configurations depending on the application.

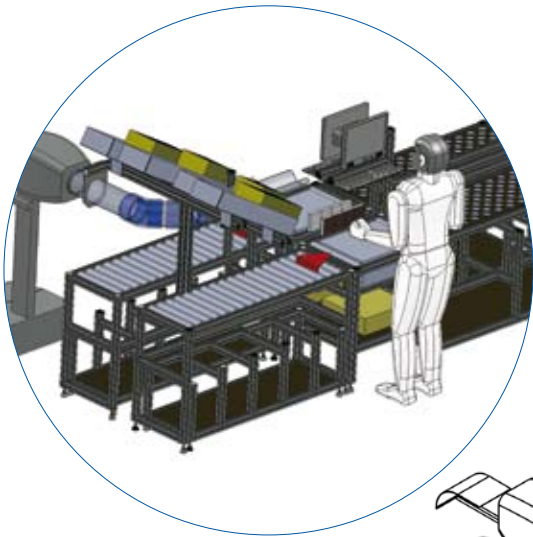
Storopack's Systems Integration Department works closely with you to develop a plan that provides the most efficient methods to deliver and use your packing materials. They carefully analyze your workflow, current process and facility. Their analysis includes consideration of details such as:

- **Improve productivity to reduce costs**
- **Speed and ease of supply material loading**
- **In-line or off-line packaging**
- **Pre-produced materials vs. on-demand production**
- **Ease of handling**
- **Maximum use of facility space**
- **Accessibility for loading and machine maintenance**
- **Environmental issues**
- **Optimized ergonomics and output**
- **Consideration of plans for future changes ...and more**

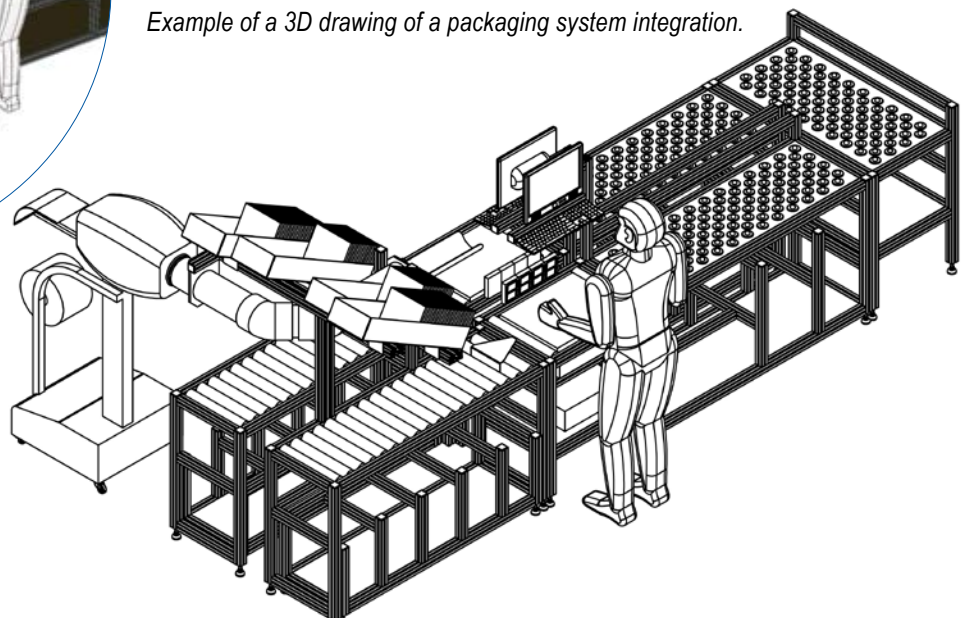
After a thorough analysis our engineers go to work to develop a proposal that effectively integrates the new machines into your existing facility or, if appropriate, a completely new layout of your packaging area. Our proposal is sent to you with drawings showing a clear picture of where and how the machines will be integrated into your facility so you'll be able to judge the added value of your investment. Once we receive your approval Storopack will deliver and install your new systems within 6 to 8 weeks.



*The first technical drawing of the packaging system integration.*



*Example of a 3D drawing of a packaging system integration.*





## Integration at your service



*Standard single packing table with PAPERplus® Classic under the table. Extras include AIRplus® Mini on a shelf, a carton rack, and a computer rack with TFT monitor connector.*



*A PAPERplus® Shooter mounted to a work station with a carton rack accessory above and a paper roll dispenser below.*



*AIRplus® Mini with Cushion film, and PAPERplus® Classic machine.*

# Modular and standard integration



*Example of a PAPERplus® Classic tabletop machine integrated in a packaging line.*



*A Classic machine integrated in a pick-to-light book warehouse.*



*A Chevron machine on a packaging line.*



*In-line packaging using a Chevron machine.*



*A modified Shooter machine on a swivel puts the packaging material closer to the packer.*

# Expand your choices with Storopack's Single Source Triple Advantage!

At Storopack you'll find the product choices, availability, and reliable technology you need from one source. The power of Storopack's Triple Advantage makes it possible to create and coordinate workable solutions for positive outcomes with increased throughput, lower material cost and reduced damage.

- 1 Product:** Our broad range of packing materials and equipment give you access to solutions that satisfy every need from void-fill to protective cushioning for everything from fragile items to heavy industrial products.
- 2 Geography:** Storopack has more than 20 manufacturing facilities in North America and more than 70 combined locations worldwide for fast attentive service and efficient delivery of our products.
- 3 Technology:** Storopack is technology driven to develop cost-effective, efficient, and environmentally friendly products. Our equipment includes the newest technology for reliability, speed and ergonomics, and we provide the latest software and system upgrades.

More solutions from one source.

## Packaging Products

PAPERplus® Cushioning Pads  
PAPERplus® Shooter  
PELASPAN-PAC® Loose-Fill  
PELASPAN™ BIO Loose-Fill  
AIRplus® Air Pillows  
AIRplus® Cushion Film

AIRplus® Wave  
AIRplus® Tube  
PAD LOC® Moldable Pads  
PAD LOC® BIO Moldable Pads  
FOAMplus® Foam-In-Place

## Individualized Services

Systems Integration  
Consultation Services  
Hybrid Packaging  
Machine Customization  
Product Imprinting  
Retail Packaged Products

## North American Headquarters Cincinnati

4758 Devitt Drive  
Cincinnati, Ohio 45246  
Phone: 1 513 874 0314  
Fax: 1 513 874 2955

packaging.us@storopack.com  
www.storopack.us

## Atlanta

6140A Duquesne Drive  
Atlanta, Georgia 30336  
Phone: 1 404 344 6451  
Fax: 1 404 344 4734

## Boston

125 Flanders Road  
Westboro, Massachusetts 01581  
Phone: 1 508 366 1249  
Fax: 1 508 366 9539

## Chicago

320 Craig Place  
Hillside, Illinois 60162  
Phone: 1 708 547 8030  
Fax: 1 708 547 8096

## Cincinnati

4663 Dues Drive  
Cincinnati, Ohio 45246  
Phone: 1 513 860 1804  
Fax: 1 513 860 4082

## Cleveland

3135 Berea Road  
Cleveland, Ohio 44111  
Phone: 1 216 941 7225  
Fax: 1 216 251 4744

## Dallas

5050 Duncanville Road  
Dallas, Texas 75236  
Phone: 1 972 296 9535  
Fax: 1 972 296 9843

## Los Angeles

12007 S. Woodruff Avenue  
Downey, California 90241  
Phone: 1 562 803 5582  
Fax: 1 562 803 4462

## Memphis

4290 Delp Street  
Memphis, Tennessee 38118  
Phone: 1 901 367 8053  
Fax: 1 901 367 8055

## Miami

11825 N.W. 100th Road, Suite 4  
Medley, Florida 33178  
Phone: 1 305 805 9696  
Fax: 1 305 805 9697

## Minneapolis

13100 12th Ave., North  
Plymouth, Minnesota 55441  
Phone: 1 763 542 8351  
Fax: 1 763 542 3147

## Newark

22 Worlds Fair Dr., Unit D  
Somerset, New Jersey 08873  
Phone: 1 732 560 1489  
Fax: 1 732 560 1494

## Phoenix

77 North 45th Avenue  
Phoenix, Arizona 85043  
Phone: 1 602 484 0831  
Fax: 1 602 278 1011

## San Jose

2210 Junction Avenue  
San Jose, California 95131  
Phone: 1 408 435 1537  
Fax: 1 408 922 0316

## Seattle

20418 87th Avenue South  
Kent, Washington 98031  
Phone: 1 253 872 6844  
Fax: 1 253 872 5722

## Tampa

4724 Transport Drive  
Tampa, Florida 33605  
Phone: 1 813 247 4226  
Fax: 1 813 247 3677

## Winston-Salem

2598 G Empire Drive  
Winston-Salem, NC 27103  
Phone: 1 336 765 7767  
Fax: 1 336 760 4426

## Canada:

### Toronto

10 Woodslea Road Unit 2  
Brampton, Ontario L6T 5P2  
Phone: 1 (905) 792 9567  
Fax: 1 (905) 792 8737

## For all other countries:

### Asia

Phone: +852 3421 2392  
Fax: +852 3421 2720  
packaging.asia@storopack.com  
www.storopack.hk

### Europe

Phone: +49 (0)7123 164-0  
Fax: +49 (0)7123 164-119  
packaging@storopack.com  
www.storopack.com



# STOROpack