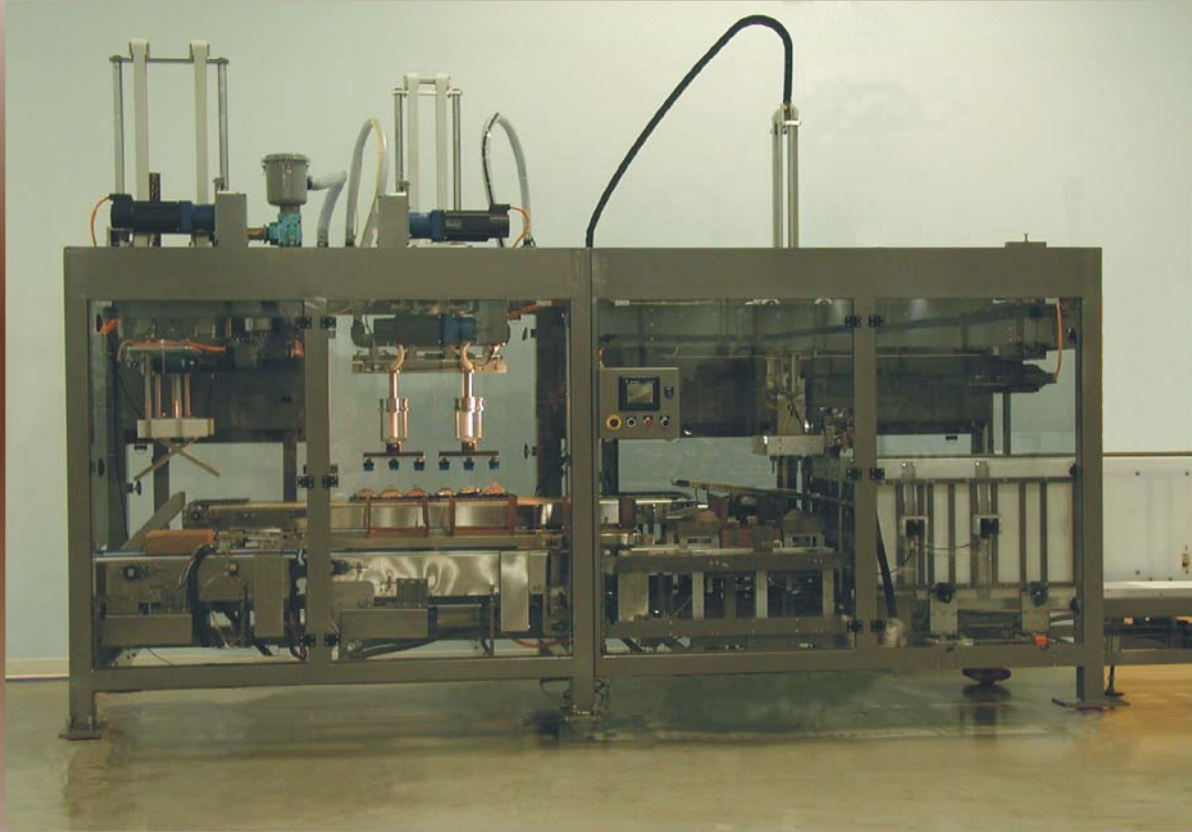


ALL-IN-ONE™ case and tray former/packer/sealer



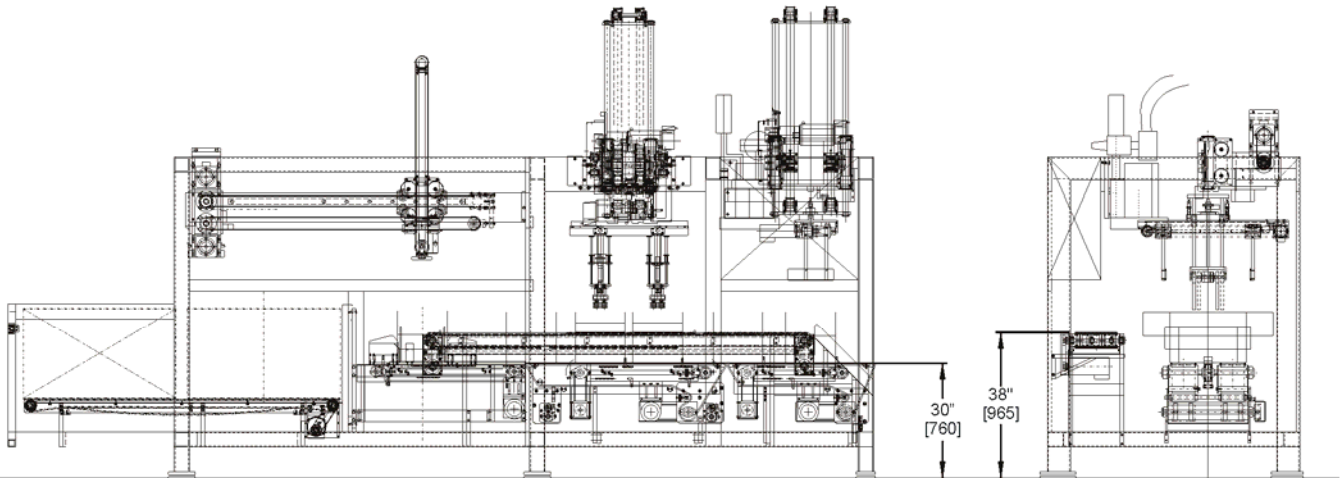
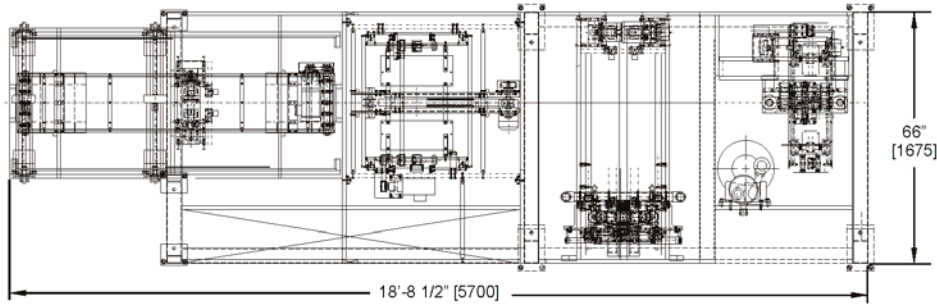
Goodman Packaging Equipment presents our fully automatic "All-In-One" pick and place case and tray forming, packing and sealing system. This system provides corrugate reduction, flexibility in case design and efficient packing, within a single frame. The "All-In-One" machine will form a case or tray from a blank, pack

flexible or rigid packages into the shipping container at up to 150 packages per minute and close/seal the top of the case or tray with hot melt adhesive. This highly flexible, compact system combines proven modules within a unified frame to help automate your case packing operations.

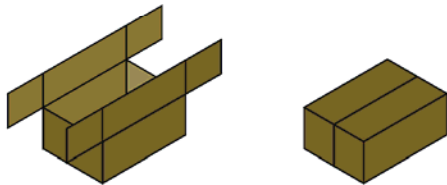
GOODMAN
PACKAGING EQUIPMENT

CASE PACKING
SINCE 1972

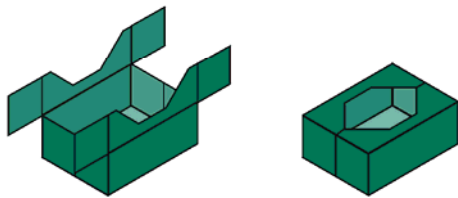
ALL-IN-ONE™ case and tray former/packer/sealer



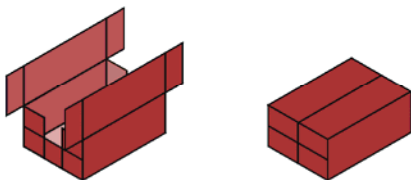
CASE STYLES



FULL FLAP



FULL FLAP-DISPLAY



ECONOMY

SPECIFICATIONS

- PACKAGE SPEEDS UP TO 150 PACKAGES PER MINUTE, DEPENDING ON PACK PATTERN
- PICK AND PLACE ROBOT SPEED UP TO 30 STROKES PER MINUTE
- CASE SPEEDS UP TO 15 CASES PER MINUTE
- PACKAGE SIZES UP TO 15" (380) LONG x 12" (305) WIDE
- CASE SIZES UP TO 20" (510) LONG x 14" (355) WIDE x 8" (205) HIGH
- FORM, TOP LOAD AND SEAL WRAPAROUND STYLE CASE
- CHANGE OVER IN UNDER 10 MINUTES
- CUSTOMIZATION UPON REQUEST

GOODMAN PACKAGING EQUIPMENT

1081 Northpoint Blvd. ~ Waukegan, IL 60085 ~ Phone: 847-596-9000 ~ Fax: 847-596-9001

Web: www.goodmanpkg.com ~ e-mail: sales@goodmanpkg.com